

2380 Series

THOMAS
by Gardner Denver

FEATURES

- > Lightweight, compact design
- > Inverted high performance piston seal
- > Extremely low vibration
- > Internal 9 blade cooling air flow fans
- > Monolithic head
- > Oil-less operation
- > Permanently lubricated bearings
- > Stainless steel valves
- > Wetted parts treated for corrosion resistance
- > Proven WOB-L technology
- > cRUus or TUV approvals
- > RoHS and REACH compliant
- > Easily serviced

Declaration documentation for applicable models available upon request

TYPICAL APPLICATIONS

- > ENT Equipment
- > Aspirators
- > Dental Equipment
- > Skin Care Equipment
- > Vacuum Sealing/Handling
- > Central Vacuum Units

BASE MODELS

2380BES44
(115/60/1 & 100/50/60/1)

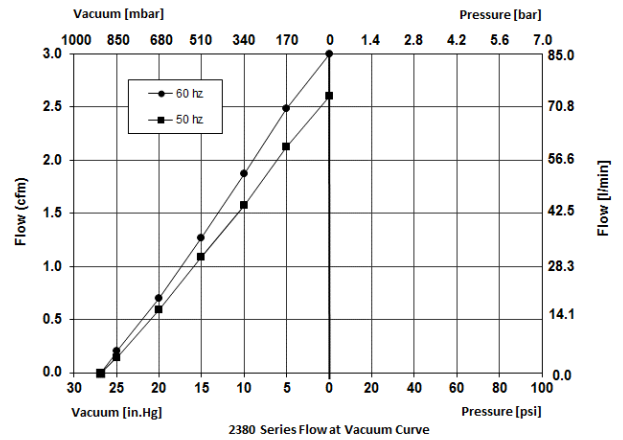
2380BGUU44
(230/60/1 & 230/50/1)



WOB-L

2380Series

Maximum Open Flow	3.0 cfm (85 l/min)
Maximum Continuous Vacuum	91% local barometer
Max. Pressure	N/A



NOTE: All test values are nominal and for reference only. They are not guaranteed maximum or minimum limits, nor do they imply mean or median.

PERFORMANCE DATA

Model Number	2380BES44			2380BGUU44	
	Head Configuration	Vacuum parallel flow (Single stage)			Vacuum parallel flow (Single stage)
Stroke	0.44 in. (11.1 mm)			0.44 in. (11.1 mm)	
Nominal voltage input	115V 60Hz	100V 60Hz	100V 50Hz	230V 60Hz	230V 50Hz
Maximum open air flow	3.0 cfm (85 l/min)	3.0 cfm (85 l/min)	2.6 cfm (73.6 l/min)	3.0 cfm (85 l/min)	2.6 cfm (73.6 l/min)
Maximum vacuum	91% local barometer	91% local barometer	91% local barometer	91% local barometer	91% local barometer
Current at maximum vacuum	2.3A	2.3A	1.5A	1.1 A	1.0 A
Power at maximum vacuum	240W	200W	140W	220 W	200 W
Speed at maximum vacuum	1750 rpm	1730 rpm	1460 rpm	1730 rpm	1450 rpm
Peak power point vacuum	51% local barometer	51% local barometer	51% local barometer	51% local barometer	51% local barometer
Flow at peak power point	1.3 cfm (37 l/min)	1.3 cfm (37 l/min)	1.1 cfm (51 l/min)	1.3 cfm (37 l/min)	1.1 cfm (31 l/min)
Current at peak power point	2.6A	2.6A	1.7A	1.2A	1.0A
Power at peak power point	275W	240W	170W	260W	230W
Speed at peak power point	1725 rpm	1705 rpm	1420 rpm	1700 rpm	1425 rpm
Maximum vacuum restart	Consult factory			Consult factory	

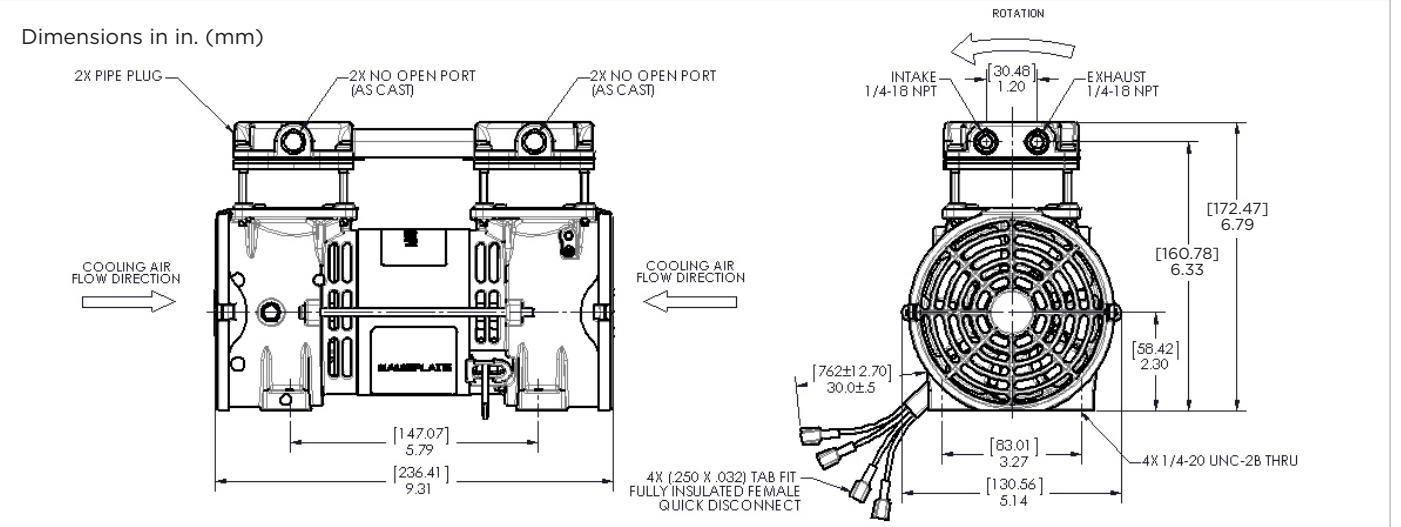
ELECTRICAL DATA

Motor type (Capacitance)	Permanent Split Capacitor [30 µF]			Permanent Split Capacitor [10 µF]	
Motor locked rotor current	5.4A	4.3A	4.8A	3.5A	3.8A
Motor insulation class	B			B	
Thermal switch (Open temp.)	Yes [293°F (145°C)]			Yes [293°F (145°C)]	
Line lead wire color, gauge	Brown(hot), blue(neutral), 18 AWG			Brown(hot), blue(neutral), 18 AWG	
Capacitor lead wire color, gauge	Black, black, 18 AWG			Red, red, 18 AWG	

GENERAL DATA

Operating ambient temperature	50° to 104°F (10°C TO 40°C)	50° to 104°F (10°C TO 40°C)
Safety Certification	cRUus	TUV
Net weight	12 lbs (5.44 kg)	12 lbs (5.44 kg)

PRODUCT DIMENSIONS



PUMP AND COMPRESSOR SOLUTIONS FOR OEMS WORLDWIDE

gd-thomas.com



Gardner Denver Thomas GmbH

Livry-Gargan-Str. 10
82256 Fürstenfeldbruck
Germany
T +49 8141 2280 0
F +49 8141 8892136

thomas.de@gardnerdenver.com

Gardner Denver Thomas Pneumatic Systems (Wuxi) Co. Ltd.

1 New Dong'an Road, Shuofang Town
Xinwu District, Wuxi
Jiangsu, 214142 China
T +86 510 6878 2258
F +86 510 6878 2200

thomas.cn@gardnerdenver.com

THOMAS

by Gardner Denver

Gardner Denver Thomas, Inc.

1419 Illinois Avenue
Sheboygan, WI 53081
USA
T +1 920 4574891
F +1 920 4514276

td.usa@gardnerdenver.com

The information presented in this material is based on technical data and test results of nominal units. It is believed to be accurate and reliable and is offered as an aid to help in the selection of Thomas products. It is the responsibility of the user to determine the suitability of the product for the intended use and the user assumes all risk and liability in connection there with. Thomas does not warrant, guarantee or assume any obligation or liability in connection with this information.

Models presented in this catalog are representative of the product family. Photos of products pictured in this catalog do not necessarily represent a specific model number. To obtain further information for custom options, contact your local Thomas office.

Printed in U.S.A Form No. 850-4023 05/2018 ©Gardner Denver Thomas, Inc. All rights reserved.