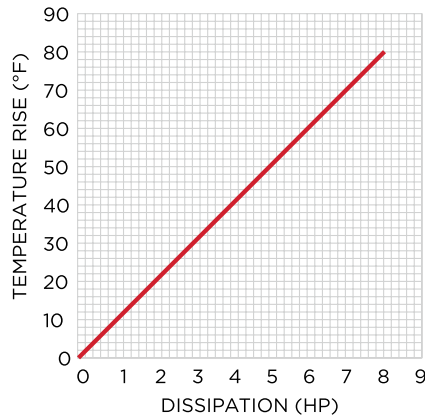


MH1 & MH3

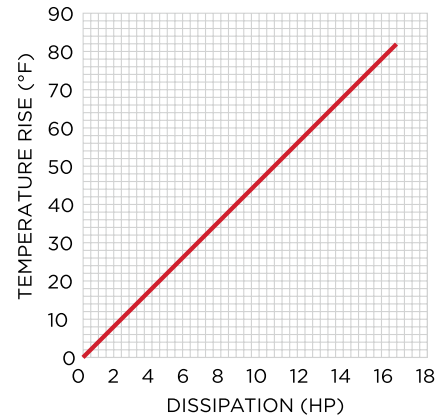
- The MH1 & MH3 Hydrapak's provide a cost effective system for driving low horsepower product transfer pumps.
- Ideal on a bobtail delivery truck for propane, fuel oil, bucket truck, digger derrick mechanic truck or a specialized piece of mobile equipment.

PERFORMANCE CURVE
MH1 HYDRAPAK

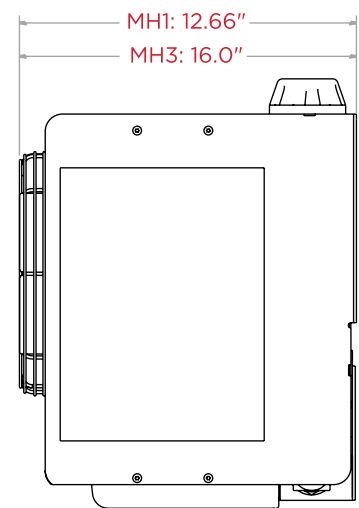
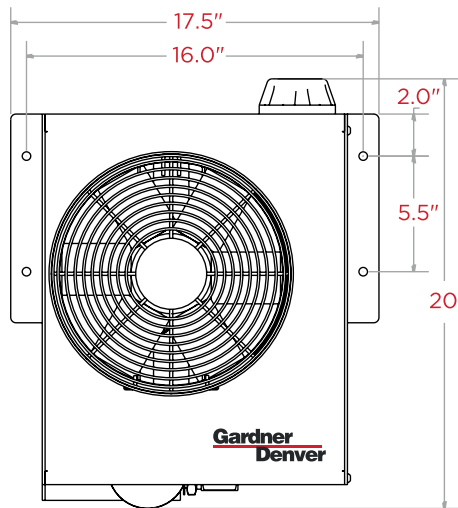


Notes: Curve based on following data:
16 GPM & 105°F. ISO Ambient, 32 Oil

PERFORMANCE CURVE
MH3 HYDRAPAK



Notes: Curve based on following data:
20 GPM & 105°F. ISO Ambient, 32 Oil



MH1 & MH3 SPECIFICATIONS

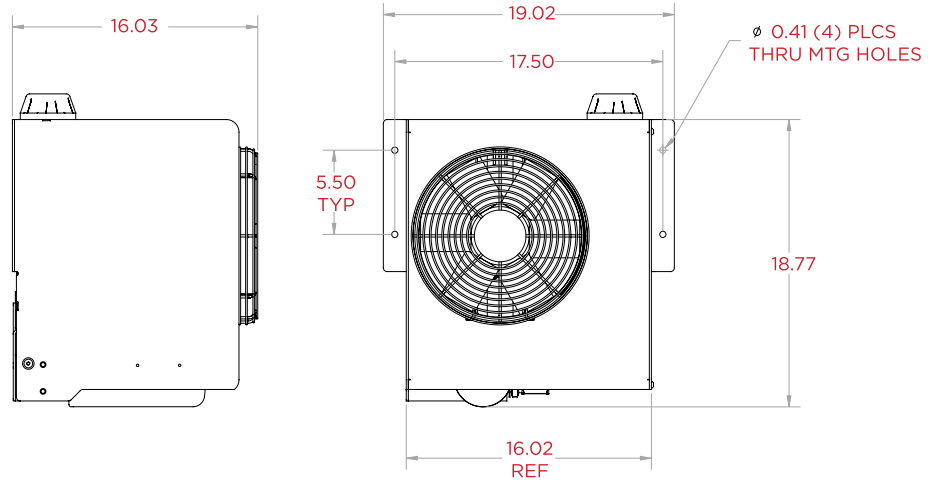
Model	Pressure (up to)	Reservoir Size	Flow Rate (up to)	Dry Weight
	PSIG BAR	GALLONS LITERS	GPM L/MIN	LBS KG
MH1	3,000 207	2 7.5	20 76	49 22
MH3	3,500 ⁽¹⁾ 241	4 15	40 151	75 34

(1) 5,000 psi (345 bar) option available. Actual performance may vary based on system design, environment, and maintenance.



MH5

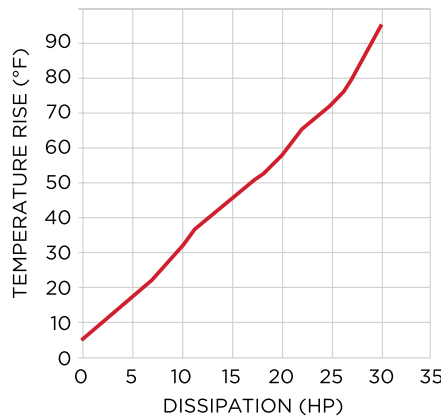
The MH5 Hydrapak is aimed for use in high horsepower and high flow mobile hydraulic drive systems. Operating with virtually no maintenance, this easy install system weighs hundreds of pounds less than a conventional reservoir type system.



Features & Benefits

- Durable, heavy-duty stainless steel mainframe
- Designed to withstand vibration, road shock, torsional and thermal stress
- Multi-ported design reduces the need for hoses, fitting & external connections

PERFORMANCE CHART
MH5 HYDRAPAK



Performance curve is for reference only. Actual performance may vary based on system design, environment, and maintenance.

DELIVERY: MH-5 HYDRAPAK



Model	Pressure PSI	Reservoir Size GALLONS	Flow Rate GPM	Dry Weight LBS
MH-5	up to 4500	4.4	60	94