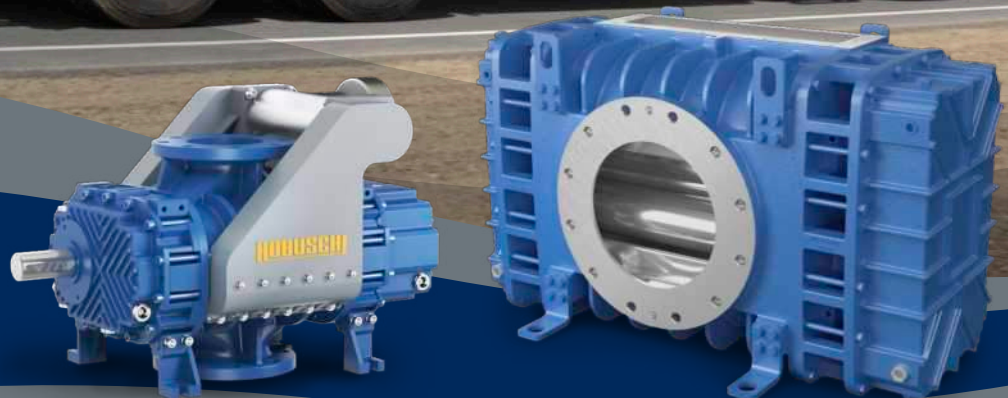


ROBUSCHI®

RB-DV Series

POSITIVE DISPLACEMENT TRI-LOBE BLOWER

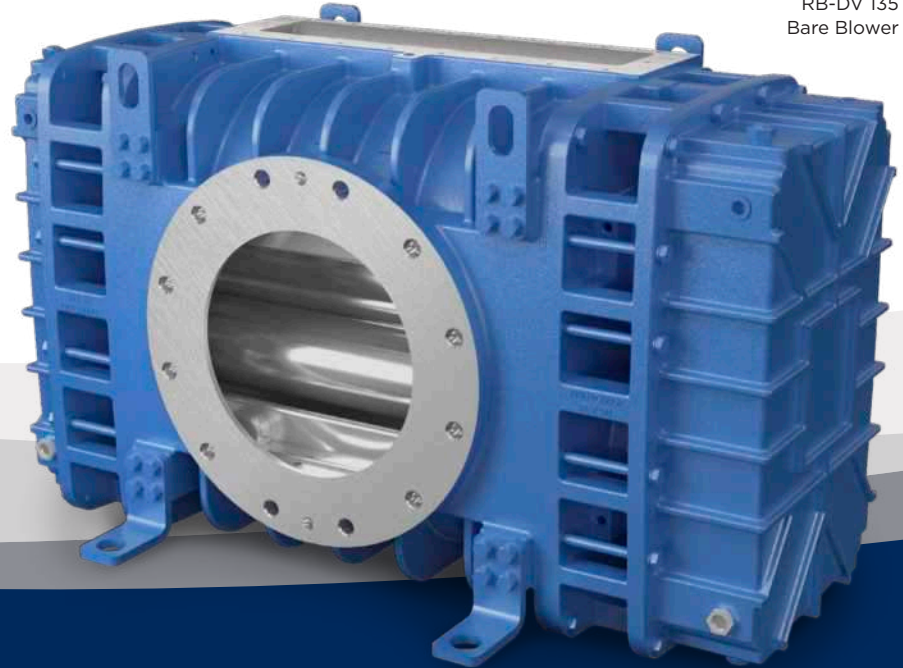


Big Air

RB-DV 105, 125, 135, 145 | Up to 6676 CFM

Ideal Applications

- Industrial Combination Trucks
- Hydro Excavation
- Potholing Utilities
- Oil Collection
- Oil Field Water
- Grit Recovery Trailers



RB-DV 135
Bare Blower

Small Air

RB-DV 45, 65, 85 | Up to 1602 CFM

Ideal Applications

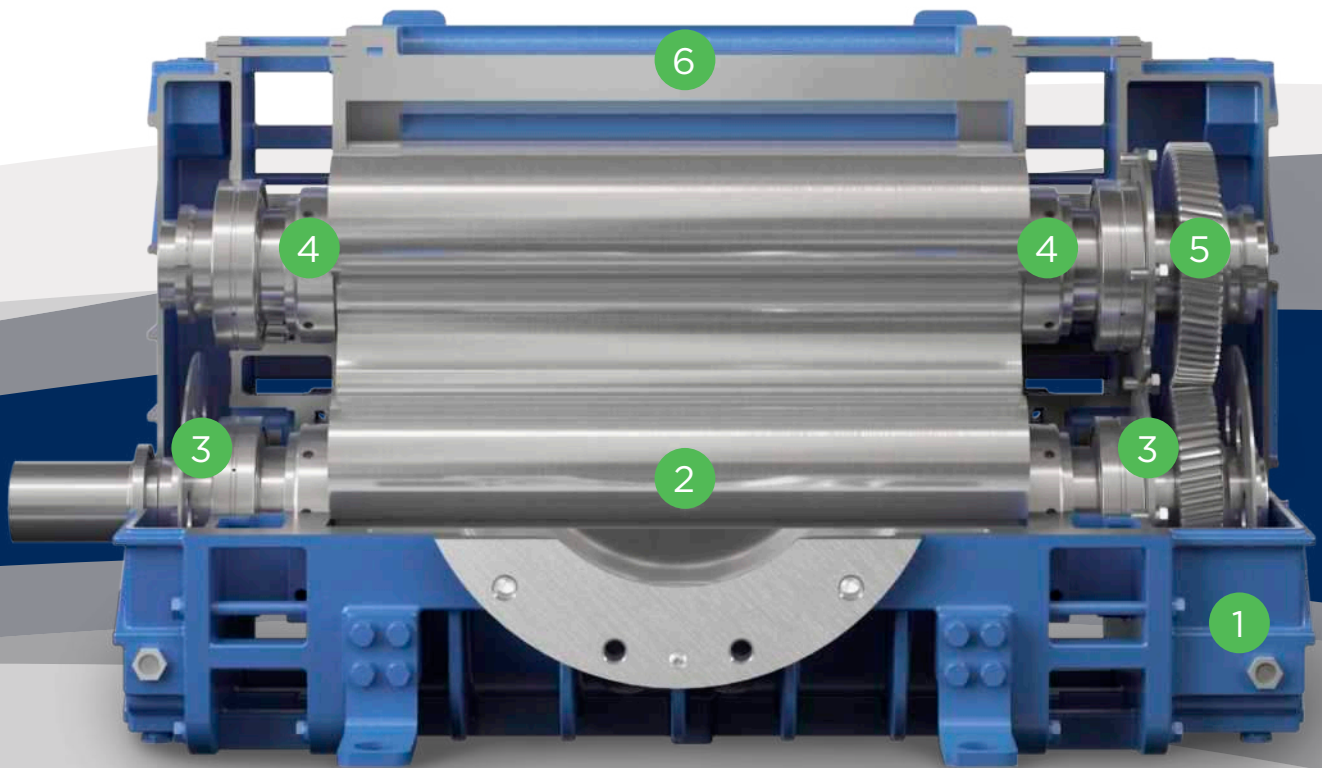
- Restaurant Grease Traps
- Septic Tanks
- Holding Pits
- Cesspool Pumping
- Oil Well Service
- Sludge Removal



RB-DV 45
with Manifold

Design Advantages

RB-DV 135 Model Shown



FEATURES & BENEFITS

- Light weight, compact designs
- Quiet, cool running deep vacuum operation
- Robust, built to last construction
- Flexible installation options
- Simple maintenance, no wearing parts
- Multiple drive options

Design Highlights

- 1 **Lubrication**
- 2 **Tri-lobe rotor profile**
- 3 **Bearings**
- 4 **Seals**
- 5 **Gears**
- 6 **Air injection port**

Complete Deep Vacuum

RB-DV Product Range



RB-DV 45

- Max vacuum: 28 inHg
- Free Air Flow up to 494 CFM



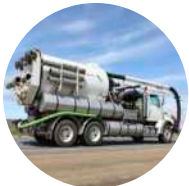
RB-DV 65

- Max vacuum: 28 inH
- Free Air Flow up to 912 CFM



RB-DV 85

- Max vacuum: 28 inHg
- Free Air Flow up to 1602 CFM



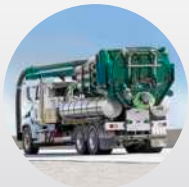
RB-DV 105

- Max vacuum: 28 inHg
- Free Air Flow up to 2294 CFM



RB-DV 125

- Max vacuum: 28 inHg
- Free Air Flow up to 3500 CFM



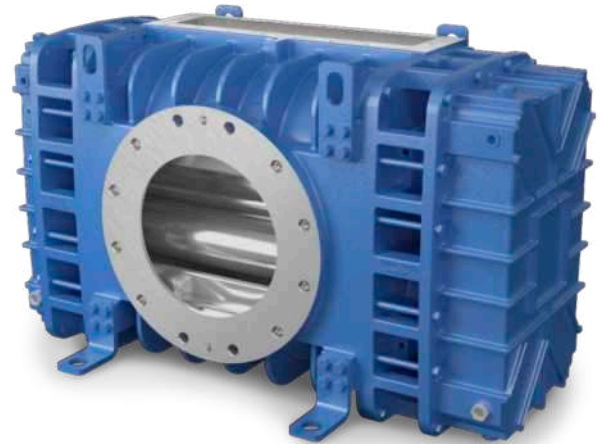
RB-DV 135

- Max vacuum: 28 inHg
- Free Air Flow up to 5280 CFM



RB-DV 145

- Max vacuum: 28 inHg
- Free Air Flow up to 6676 CFM



SIZING & OPTIONS

- 7 sizes available to cover your deep vacuum application needs
- Horizontal & vertical mounting configurations available
- Available with or without manifold
- V-Belt, PTO & hydraulic motor drive options

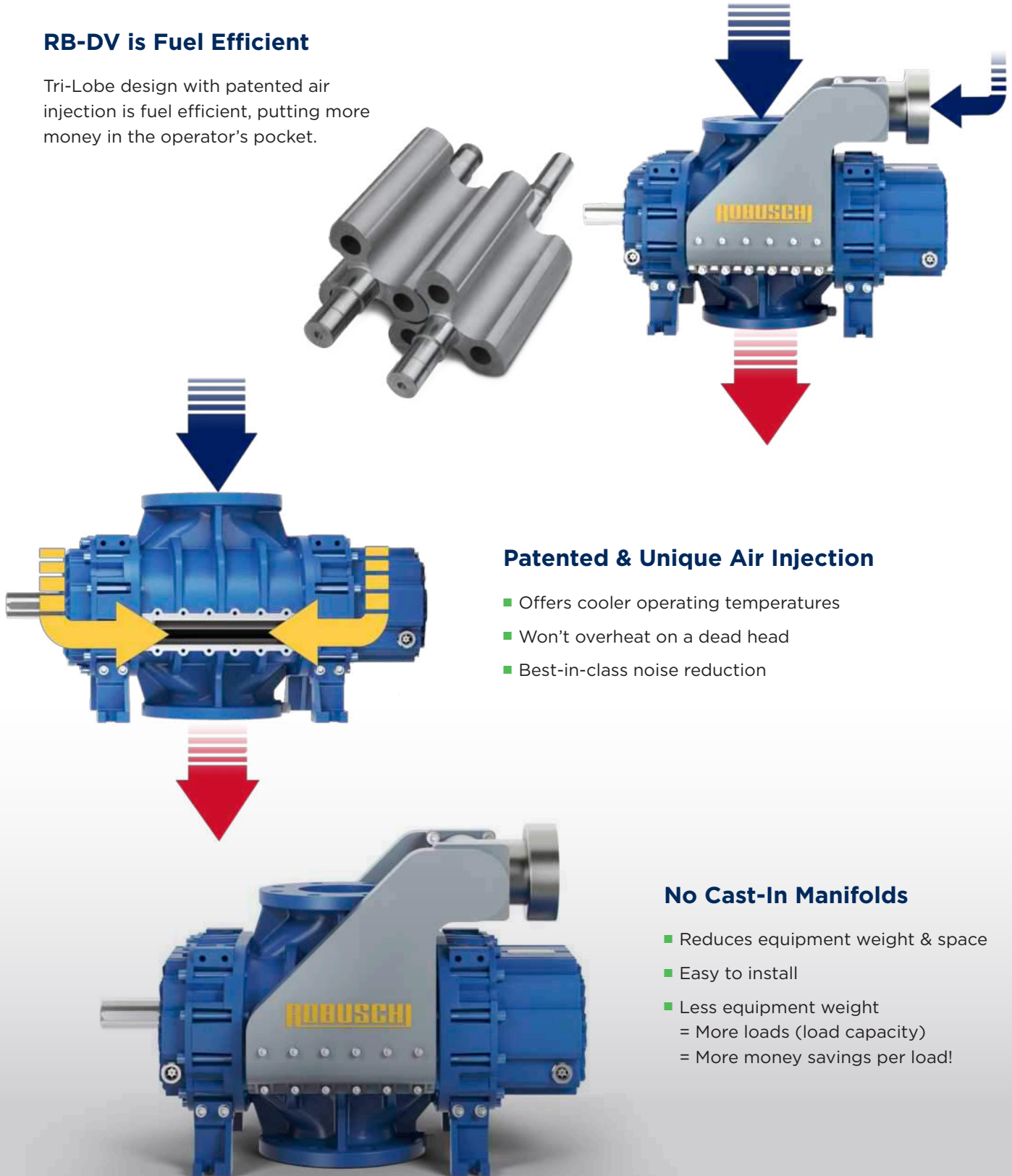
PERFORMANCE

- Continuous vacuum levels up to 28 inHg on a dead head
- Free air flows up to 6676 CFM

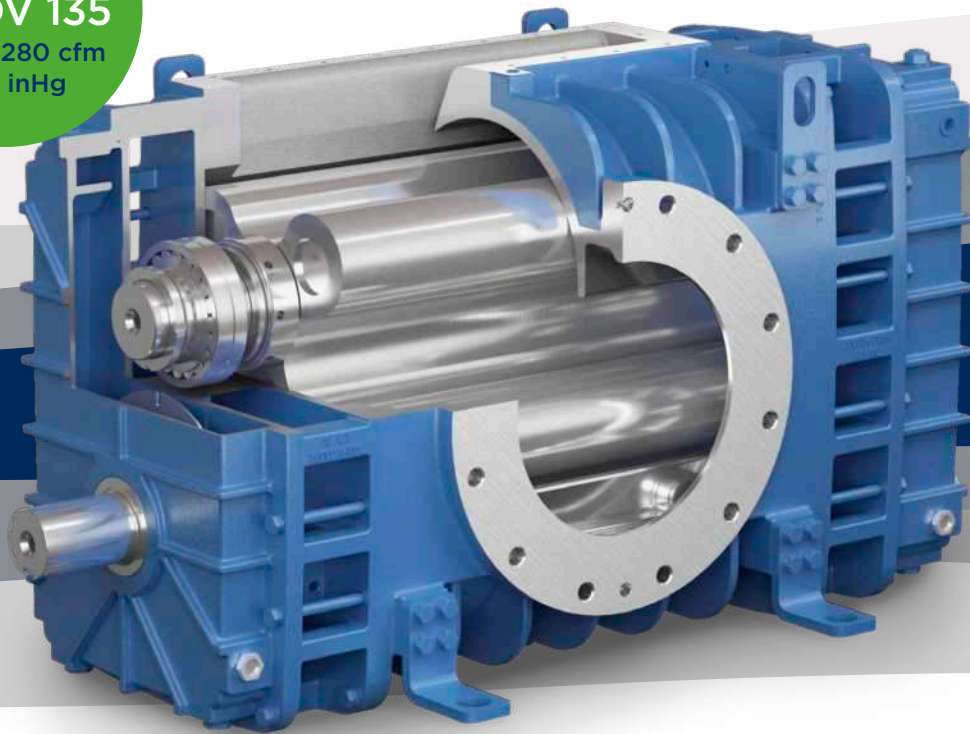
Operating Principle

RB-DV is Fuel Efficient

Tri-Lobe design with patented air injection is fuel efficient, putting more money in the operator's pocket.



NEW!
RB-DV 135
Up To 5280 cfm
& 28 inHg



New to the Line-up

Robuschi RB-DV 135

- Lighter weight, with more flow and less space required vs comparable competitive models.
- Capable of continuous deep vacuum up to 28 inHg on a dead head.
- Completes the RB-DV product family by maximizing performance and efficiency for applications requiring flows up to 5280 CFM.
- Aluminum and ribbed sump covers for additional heat transfer optimization.
- Unique Breathable Bearing Housing design with air gaps for reduced heat transfer to sump cavity.
- Precision ground helical gears for less vibration and noise.
- RB-DV 135 available with and without manifolds.

WITH
**MANIFOLD
ADD-ON
OPTION**



Performance

RB-DV Vacuum

BLOWER	SPEED RPM	WEIGHT LBS	30% 9 inHg		50% 15 inHg		60% 18 inHg		70% 21 inHg		80% 24 inHg		85% 25.5 inHg		90% 27 inHg		93% 28 inHg		
			CFM	BHP	CFM	BHP	CFM	BHP	CFM	BHP	CFM	BHP	CFM	BHP	CFM	BHP	CFM	BHP	
GG (CFM) MODEL 45	2000	213.8	139	4.7	107	7.2	85	8.4	49	9.6	-	-	-	-	-	-	-	-	
	2500		188	5.9	156	9.0	134	10.6	98	12.1	26	13.7	-	-	-	-	-	-	
	3000		238	7.1	206	10.9	184	12.7	148	14.6	75	16.5	-	-	-	-	-	-	
	3500		287	8.2	255	12.6	233	14.7	197	17.0	125	19.2	45	20.2	-	-	-	-	
	4000		336	9.4	305	14.3	282	16.9	246	19.4	174	21.8	95	23.2	-	-	-	-	
	494		4500	386	10.6	354	16.2	332	19.0	296	21.8	224	24.7	144	26.0	-	-	-	-
5000	435	11.8	400	18.0	381	21.2	345	24.3	273	27.3	194	28.9	*	30.6	-	-	31.5		
GG (CFM) MODEL 65	2000	352.7	312	7.8	272	12.6	224	14.7	176	17.4	-	-	-	-	-	-	-	-	
	2500		405	10.1	371	16.1	318	18.8	265	22.1	200	25.2	-	-	-	-	-	-	
	3000		500	12.7	465	20.0	412	23.5	359	26.8	300	30.8	176	32.6	-	-	-	-	
	3500		595	15.5	559	24.0	506	28.1	453	32.8	394	36.2	282	38.9	-	-	-	-	
	912		4000	691	18.8	647	28.4	618	33.5	547	37.5	494	42.9	371	45.6	*	48.9	-	-
	4500		786	22.4	735	32.8	694	38.7	647	44.1	582	49.6	459	52.3	*	54.9	-	-	
4800	843	24.8	794	36.3	735	42.1	706	47.6	647	53.6	529	56.5	*	59.6	BO	-	61.6		
GG (CFM) MODEL 85	1500	551.2	484	12.7	424	20.8	353	24.8	282	28.8	-	-	-	-	-	-	-	-	
	2000		696	17.7	641	28.8	529	33.5	424	39.1	335	44.5	-	-	-	-	-	-	
	2500		908	23.2	853	36.6	776	43.3	647	50.0	500	56.7	353	60.0	-	-	-	-	
	3000		1119	29.6	1059	45.7	953	53.6	818	61.8	676	69.8	529	73.8	*	80.4	-	-	
	1602		3500	1331	36.7	1235	55.5	1200	64.3	1094	74.2	935	83.6	794	88.3	*	93.0	-	-
	3800		1458	41.5	1412	61.6	1335	71.7	1200	82.3	1059	92.5	918	97.6	*	102.6	BO	-	105.9
GG (CFM) MODEL 105	1500	881.8	946	23.5	824	37.9	765	44.6	588	52.5	353	59.8	-	-	-	-	-	-	
	1750		1138	28.0	1012	45.0	941	52.7	765	61.9	529	70.5	206	74.6	-	-	-	-	
	2000		1329	32.8	1200	52.3	1118	62.0	941	71.7	706	81.3	382	86.3	-	-	-	-	
	2250		1521	38.1	1388	59.9	1294	70.9	1118	81.7	882	92.7	559	98.2	*	104.0	-	-	
	2294		1713	43.7	1576	67.9	1471	80.1	1294	92.2	1059	104.4	735	110.4	*	116.8	-	-	
	2750		1905	49.8	1765	76.5	1647	89.8	1471	103.2	1235	116.6	912	123.1	*	130.4	-	-	
3000	2096	56.3	1953	85.5	1824	100.0	1647	114.6	1412	129.2	1088	136.4	*	144.5	BO	-	149.3		
GG (CFM) MODEL 125	1070	1334	1276	31.4	1118	51.2	1000	61.1	882	70.9	588	80.8	-	-	-	-	-	-	
	1200		1466	35.6	1294	65.3	1206	69.0	1076	80.0	782	91.1	-	-	-	-	-	-	
	1340		1671	40.5	1512	60.3	1412	77.7	1265	90.0	988	102.4	488	108.7	-	-	-	-	
	1500		1904	46.2	1747	74.0	1647	87.9	1471	101.7	1224	115.6	706	122.6	-	-	-	-	
	3500		2167	53.2	2012	84.2	1912	99.7	1765	115.2	1482	130.8	988	138.6	*	146.7	-	-	
	1875		2452	61.1	2294	95.8	2176	113.1	2059	130.5	1765	147.8	1271	156.5	*	165.6	-	-	
	2100		2781	71.0	2624	109.9	2529	129.3	2382	148.7	2100	168.2	1600	177.8	*	188.3	-	-	
	2200		2927	75.7	2765	116.4	2706	136.7	2529	157.0	2235	177.4	1765	187.6	*	198.6	-	-	
2400	3219	85.6	3000	130.0	2941	152.2	2765	174.5	2441	196.6	1924	207.7	*	219.8	BO	-	226.5		
GG (CFM) MODEL 135	1000	1575	1431	39.4	1151	65.4	936	78.9	596	90.4	-	-	-	-	-	-	-	-	
	1300		2025	54.8	1751	87.1	1540	103.8	1203	118.4	491	134.1	-	-	-	-	-	-	
	1600		2619	70.2	2352	108.8	2143	128.6	1809	146.4	1101	165.2	359	174.6	-	-	-	-	
	1900		3213	85.7	2952	130.6	2746	153.5	2416	174.5	1710	196.4	970	207.4	-	-	-	-	
	5280		3807	101.1	3552	152.3	3350	178.4	3022	202.5	2320	227.6	1581	240.1	*	254.7	-	-	
	2500		4402	116.5	4153	174.0	3953	203.3	3629	230.5	2929	258.8	2192	272.9	*	289.0	-	-	
2800	4996	131.9	4753	195.7	4556	228.1	4235	258.5	3538	289.9	2803	305.6	*	323.3	BO	-	340.0		
GG (CFM) MODEL 145	1070	2293	2767	66.1	2500	107.7	2294	128.6	2047	149.5	1582	170.3	941	180.8	-	-	-	-	
	1200		3168	75.0	2882	121.8	2706	145.3	2447	168.6	1982	192.0	1353	203.7	*	215.6	-	-	
	1340		3599	85.1	3294	137.4	3118	163.5	2882	189.6	2412	215.7	1794	228.9	*	242.3	-	-	
	1500		4092	97.3	3806	155.4	3618	184.9	3376	214.3	2906	243.5	2288	258.1	*	273.4	-	-	
	6676		4647	111.6	4353	176.9	4176	209.8	3929	242.5	3459	274.7	2844	291.7	*	308.9	-	-	
	1800		5016	121.7	4706	191.6	4512	227.0	4265	262.1	3782	297.2	3147	314.8	*	333.7	-	-	
2000	5633	139.5	5355	217.1	5124	255.9	4879	294.8	4398	339.0	3759	359.0	*	380.2	BO	-	392.6		

* The RB-DV family can operate at vacuum levels up to 93% below atmospheric pressure. Flow values can vary greatly at vacuum levels below 85% atmospheric pressure; please contact Gardner Denver customer service for specific flow calculations based on site conditions.

According to the application

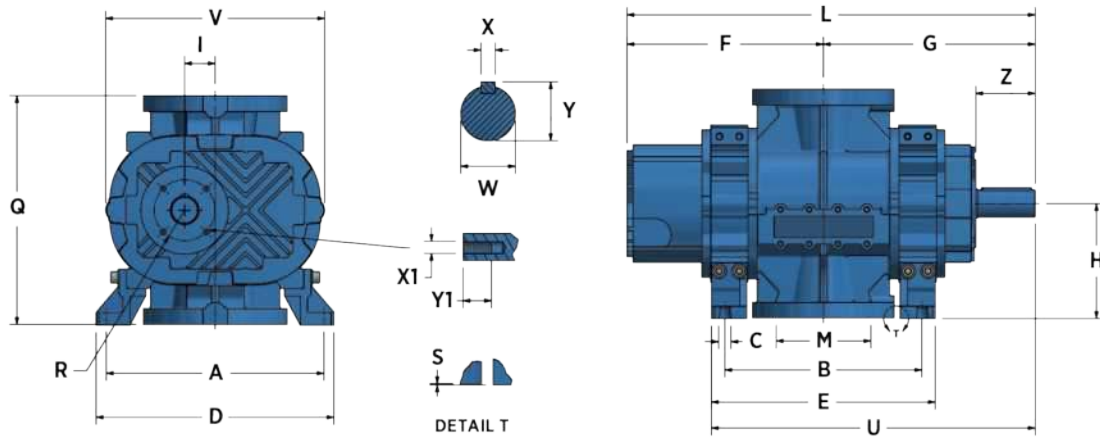
QG = Volume displacement BO = Blank off

Bare Blower Dimensions

RB-DV 45, 65, 85, 105, 125, 145 / V IN INCHES UNLESS OTHERWISE NOTED

MODEL	Ø*	A	B	C	D	E	F	G	H INCH. -0,02	I	L	M	Q	S	U	V	W	Z	X	Y	R	X1	Y1	LBS
45	3.34	11.61	10.83	0.47	13.03	12.24	10.75	11.61	6.30	1.67	22.36	3" ANSI	12.56	0.04	17.80	11.61	1.496	3.15	0.394	1.614	1.969	4 x M8	0.591	213.8
65	4.22	13.39	13.43	0.55	15.16	15.24	13.39	14.21	7.28	2.11	27.60	6" ANSI	14.53	0.04	21.85	13.68	1.89	4.331	0.551	2.028	2.461	4 x M10	0.591	352.7
85	5.32	14.57	16.97	0.71	16.54	18.98	15.94	16.655	8.86	2.66	32.60	6" ANSI	17.68	0.04	26.18	16.34	2.165	4.331	0.63	2.323	2.756	4 x M10	0.591	551.2
105	6.62	16.93	19.72	0.71	19.13	21.93	18.23	19.57	10.43	3.31	37.80	8" ANSI	20.83	0.04	29.17	20.55	2.362	5.512	0.709	2.52				881.8
125	8.352	21.65	23.23	0.87	25.20	25.43	20.79	22.36	11.81	4.176	43.15	10" ANSI	23.58	0.04	35.08	24.33	2.756	5.512	0.787	2.933				1334
145	10.62	26.77	29.41	1.02	30.31	31.69	25.24	27.36	14.17	5.31	52.60	12" ANSI	28.31	0.04	43.23	31.10	3.346	6.693	0.866	3.543				2293

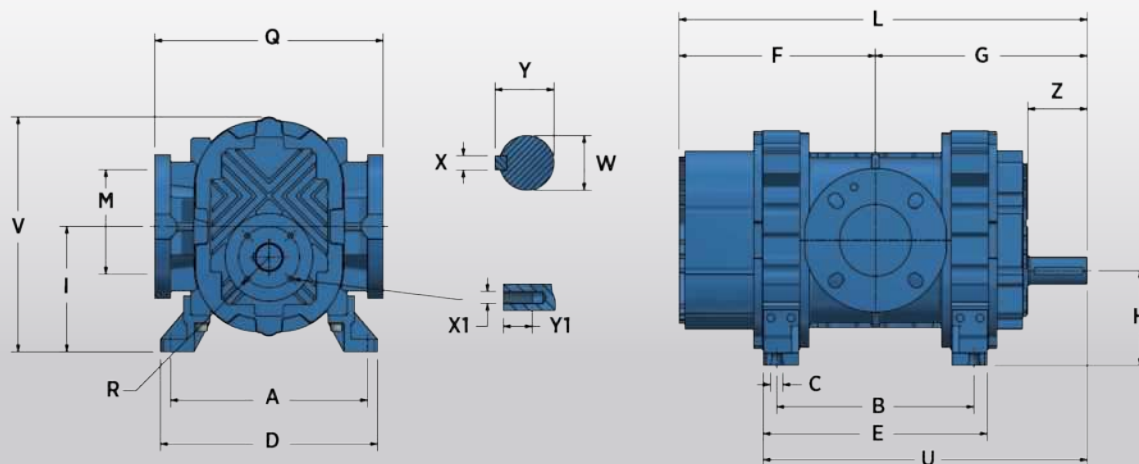
*= Gear diameter



RB-DV 45, 65, 85, 105, 125, 145 / H IN INCHES UNLESS OTHERWISE NOTED

MODEL	Ø*	A	B	C	D	E	F	G	H INCH. -0,02	I	L	M	Q	U	V	W	Z	X	Y	R	X1	Y1	LBS
45	13.78	10.47	10.83	0.47	11.89	12.24	10.75	11.61	5.20	6.89	22.36	6" ANSI	12.52	17.80	12.60	1.496	3.15	0.394	1.614	1.969	4 x M8	0.591	213.8
65	4.22	11.14	13.43	0.55	12.91	15.24	13.39	14.21	6.30	8.39	27.60	6" ANSI	14.49	21.85	15.16	1.89	4.331	0.551	2.028	2.461	4 x M10	0.591	352.7
85	19.44	12.80	16.97	0.71	14.76	18.98	15.94	16.65	7.09	9.72	32.60	6" ANSI	17.64	26.18	17.91	2.165	4.331	0.63	2.323	2.756	4 x M10	0.591	551.2
105	22.36	15.43	19.72	0.71	17.64	21.93	18.23	18.19	7.87	11.18	36.42	8" ANSI	20.79	29.17	21.46	2.362	5.512	0.709	2.52				881.8
125	28.04	17.13	23.232	0.87	20.71	25.43	20.79	22.36	9.84	14.02	43.15	10" ANSI	23.54	35.08	26.38	2.756	5.512	0.787	2.933				1334
145	32.68	22.44	29.41	1.02	25.20	31.69	25.24	27.36	11.02	16.34	52.60	12" ANSI	28.27	43.23	32.09	3.346	6.693	0.866	3.543				2293

*= Gear diameter

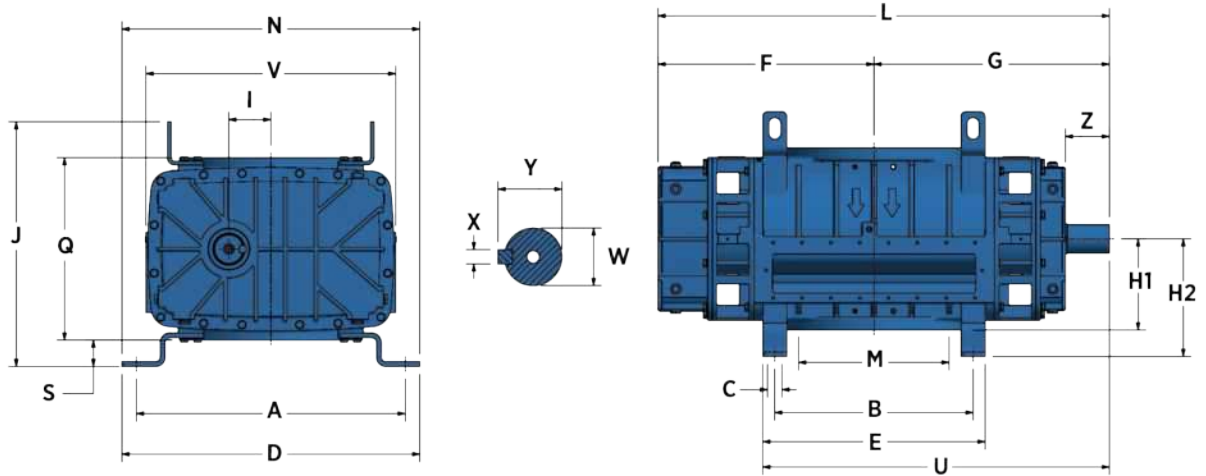


Bare Blower Dimensions

RB-DV 135 / V IN INCHES UNLESS OTHERWISE NOTED

MODEL	Ø*	A	B	C	D	E	F	G	H1	H2	I	J	L	M	N	Q	S	U	V	W	X	Y	Z	LBS
135	-	28.00	20.64	1.50	31.00	23.14	22.48	24.51	9.50	12.25	4.38	25.50	46.99	12" ANSI	31.00	19.00	2.75	36.08	26.00	3.00	0.75	3.33	4.58	1575

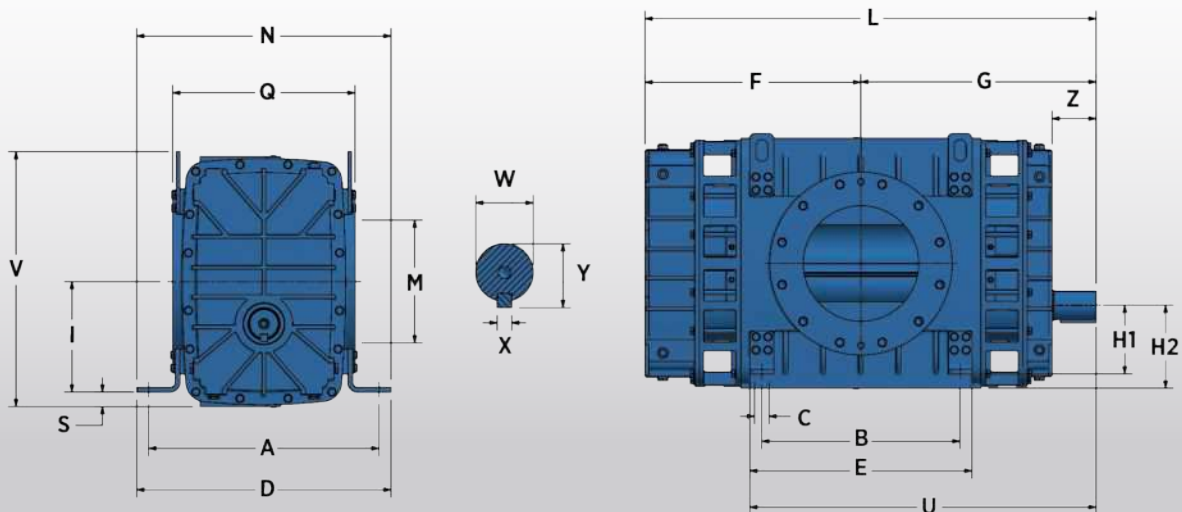
*= Gear diameter



RB-DV 135 / H IN INCHES UNLESS OTHERWISE NOTED

MODEL	Ø*	A	B	C	D	E	F	G	H1	H2	I	J	L	M	N	Q	S	U	V	W	X	Y	Z	LBS
135	-	24.00	20.64	1.50	26.50	23.14	22.48	24.51	7.15	8.65	11.50	-	46.99	12" ANSI	26.50	19.00	1.50	36.08	26.50	3.00	0.75	3.33	4.58	1575

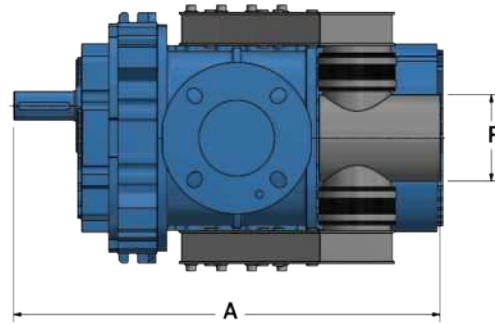
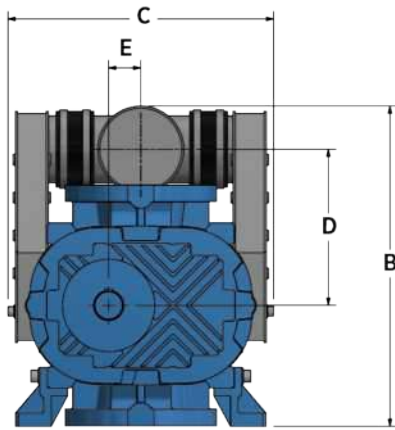
*= Gear diameter



Manifold Dimensions

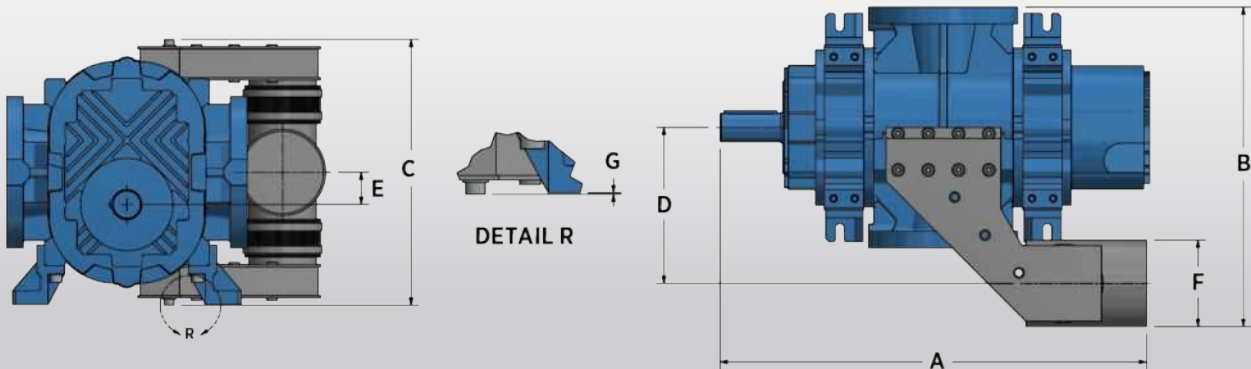
RB-DV 45, 65, 85, 105, 125, 145 / V IN INCHES UNLESS OTHERWISE NOTED

MODEL	A	B	C	D	E	F
45	22.20	16.65	13.83	8.11	1.67	4.49
65	26.82	19.26	16.69	8.75	2.11	6.63
85	31.06	22.05	22.21	9.88	2.74	6.63
105	36.4	26.74	25.91	12.05	3.31	8.63
125	45	31.28	32.68	14.09	4.17	10.75
145	52.83	37.95	40.31	17.44	5.33	12.75



RB-DV 45, 65, 85, 105, 125, 145 / H IN INCHES UNLESS OTHERWISE NOTED

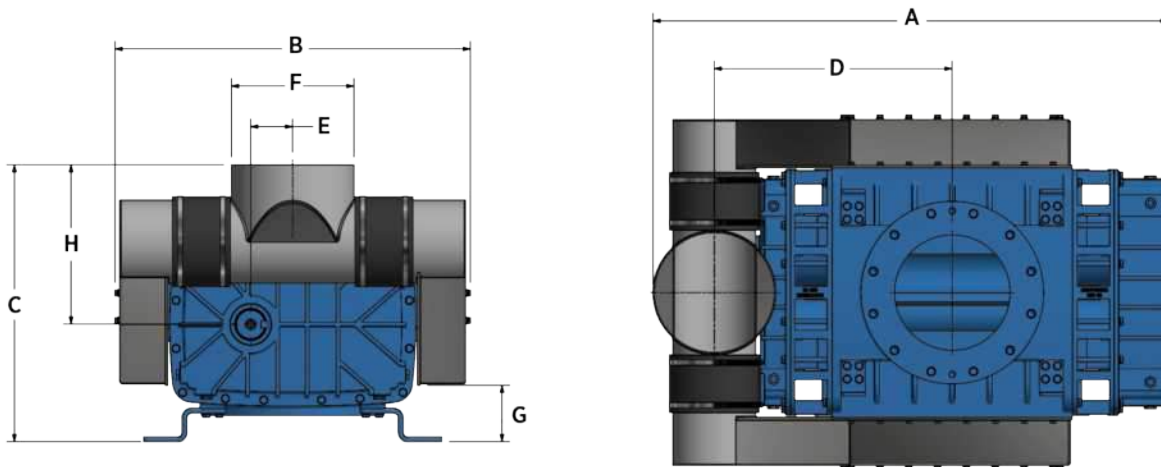
MODEL	A	B	C	D	E	F	G
45	22.20	16.65	13.83	8.11	1.67	4.49	0.04
65	26.82	19.26	16.69	8.75	2.11	6.63	0.04
85	31.06	22.05	22.21	9.88	2.74	6.63	1.36
105	36.4	26.74	25.91	12.05	3.31	8.63	2.75
125	45	31.28	32.68	14.09	4.17	10.75	2.32
145	52.83	37.95	40.31	17.44	5.33	12.75	3.82



Manifold Dimensions

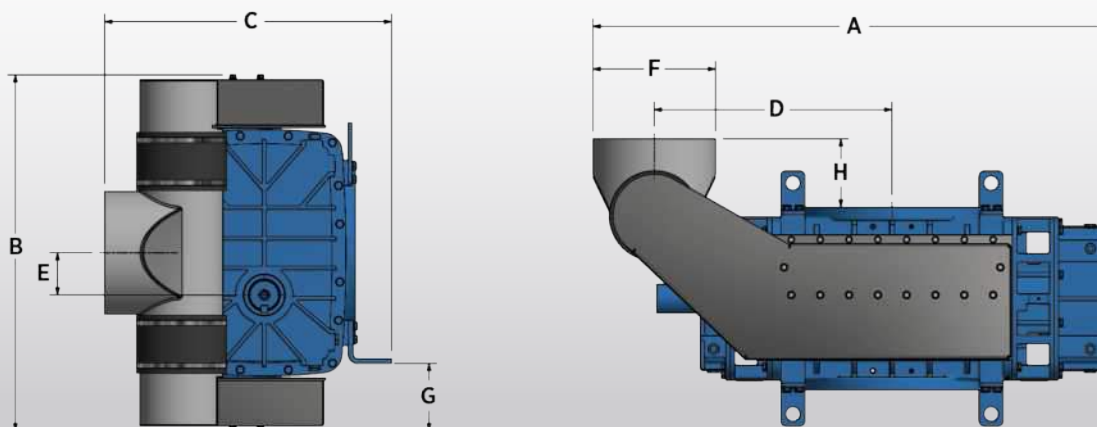
RB-DV 135 / V IN INCHES UNLESS OTHERWISE NOTED

MODEL	A	B	C	D	E	F	G	H
135	53.61	36.97	28.86	24.75	4.38	12.75	5.88	16.61



RB-DV 135 / H IN INCHES UNLESS OTHERWISE NOTED

MODEL	A	B	C	D	E	F	G	H
135	53.61	36.97	29.86	24.75	4.38	12.75	6.99	7.11





Gardner Denver, Inc.

1800 Gardner Expressway
Quincy, IL 62305
www.gardnerdenver.com

©2022 Gardner Denver, Inc. Printed in U.S.A.
RB-DV 1st Ed. 4/22

Please recycle after use.

ROBUSCHI reserves the right to make any modification aimed at the continual improvement of their products.