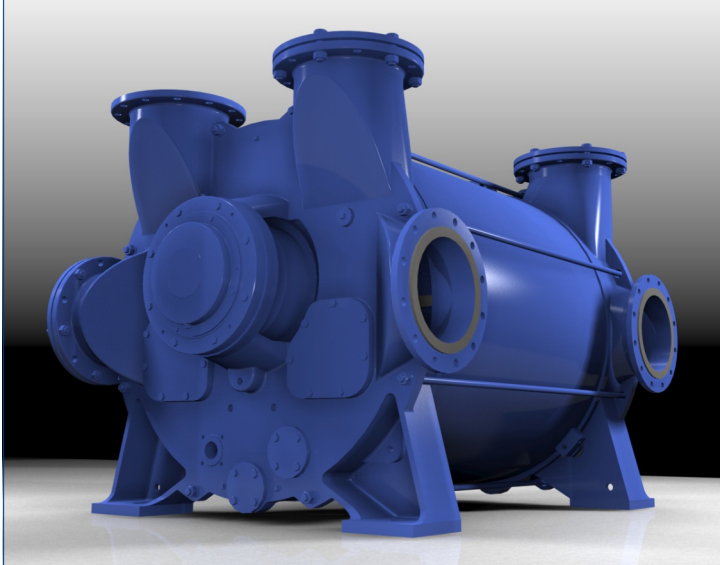


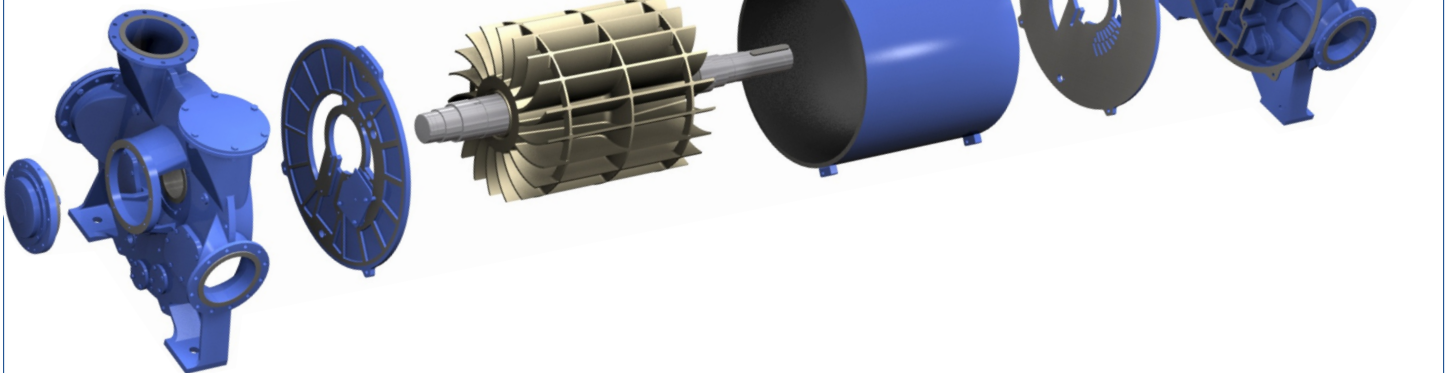
2BE4 Liquid Ring Vacuum Pumps and Compressors



An upgrade of Nash's 2BE3 vacuum pump series, the 2BE4 series offers capacities ranging from 1,500 to 19,000 CFM (2,500 to 33,000 m³/hr).

This is achieved by modifications to the shaft bearings and through optimization of the port plates and the impeller. Improvements to internal flow channeling reduce the energy requirements by 6 to 8%.

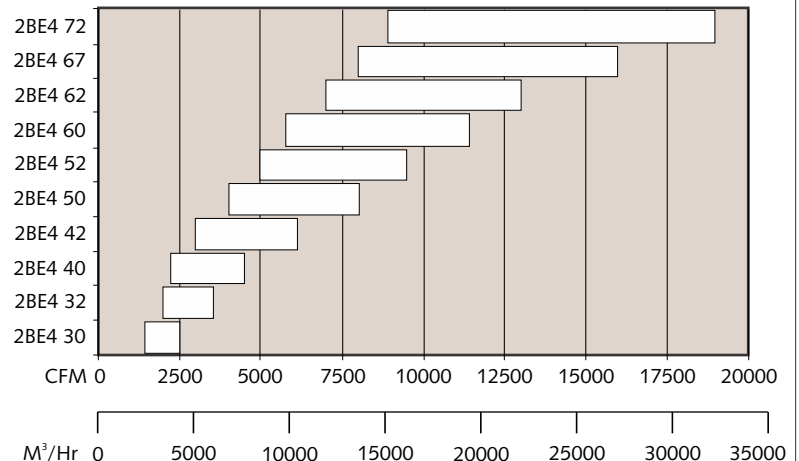
Optimization of the shaft bearings increases pump flexibility in the event of operational malfunctions and, ensures better lubrication, which extends the service life. An optional connection for rinsing the housing is also available. This feature improves cleaning and the service life.



Basic Specifications

| | |
|----------------------------------|---|
| Vacuum Range | to 160 mbar abs./ to 4.7 in Hg abs |
| Mechanical Seals | Single, double (on request), stuffing box |
| Differential pressure capability | ~ 1.2 bar / 17.4 psi |
| Compressor pressure | > 2bar abs. / 15 psig |
| Construction material | Ductile iron, stainless steel, combination of both materials |

Performance



NASH - Division of Gardner Denver

phone: +1 800 553 NASH · +1 724 239 1500 · fax: +1 724 239 1503 · email: nash@gardnerdenver.com

GDNash.com

2BE4 Liquid Ring Vacuum Pumps and Compressors



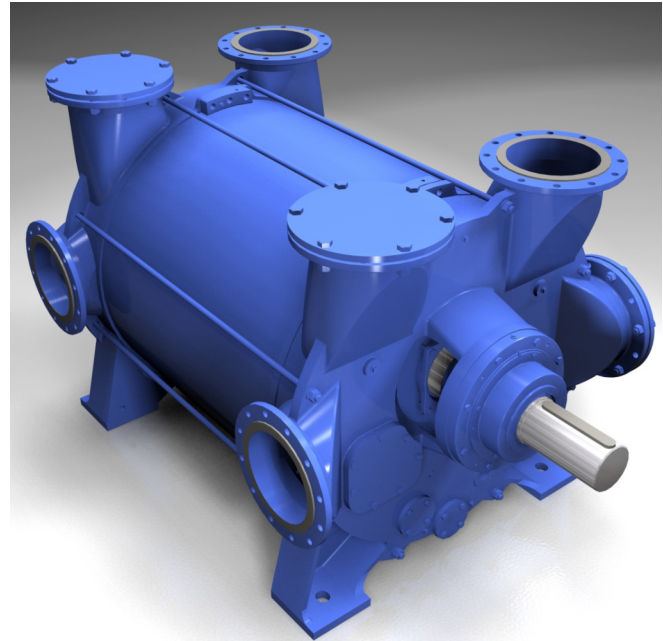
Designed to operate in demanding environments like the paper, power, mining and chemical process industries, these pumps offer durability and reliability at a low cost of operation. Each model is equipped with an application-proven polyisoprene-lined body for added corrosion & erosion resistance.

The unique inlet configuration allows for both top and side inlet arrangements to accommodate low headroom installations. In installations where space is limited, the top discharge capability of the 2BE4 allows the use of a top mounted discharge separator that saves floor space and eliminates the need for a trench.

Dimensions mm in blue

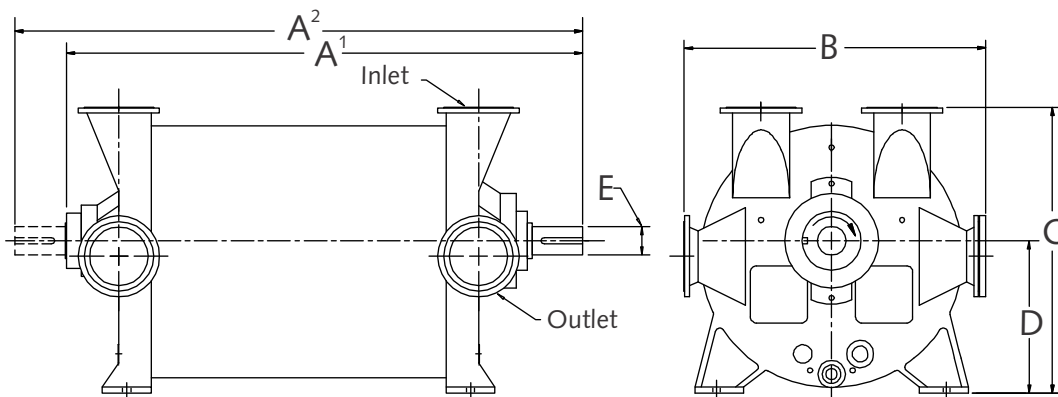
| Pump | A1 | A2 | B | C | D | E | Inlet | Outlet |
|---------|---------------|---------------|--------------|--------------|--------------|------------|---------------------------|---------------------------|
| 2BE4 30 | 65.4 1661 | 73.8 1875 | 38.2 970 | 35.6 904 | 18.7 475 | 4.3 109 | 6 in. FLG. 150mm FLG. | 6 in. FLG. 150mm FLG. |
| 2BE4 32 | 74.6 1895 | 83.0 2108 | 38.2 970 | 35.6 904 | 18.7 475 | 4.3 109 | 6 in. FLG. 150mm FLG. | 6 in. FLG. 150mm FLG. |
| 2BE4 40 | 82.8 2103 | 92.9 2360 | 50.6 1285 | 45.7 1161 | 24.4 620 | 5.1 130 | 10 in. FLG. 250mm FLG. | 10 in. FLG. 250mm FLG. |
| 2BE4 42 | 94.1 2390 | 104.3 2649 | 50.6 1285 | 45.7 1161 | 24.4 620 | 5.1 130 | 10 in. FLG. 250mm FLG. | 10 in. FLG. 250mm FLG. |
| 2BE4 50 | 102.5 2604 | 114.7 2913 | 60.7 1542 | 57.1 1450 | 30.5 775 | 6.3 160 | 12 in. FLG. 300mm FLG. | 12 in. FLG. 300mm FLG. |
| 2BE4 52 | 112.3 2852 | 124.5 3162 | 60.7 1542 | 57.1 1450 | 30.5 775 | 6.3 160 | 12 in. FLG. 300mm FLG. | 12 in. FLG. 300mm FLG. |
| 2BE4 60 | 111.7 2837 | 123.8 3144 | 70.9 1801 | 67.8 1722 | 35.4 899 | 7.1 180 | 14 in. FLG. 350mm FLG. | 14 in. FLG. 350mm FLG. |
| 2BE4 62 | 123.3 3132 | 135.4 3439 | 70.9 1801 | 67.8 1722 | 35.4 899 | 7.1 180 | 14 in. FLG. 350mm FLG. | 14 in. FLG. 350mm FLG. |
| 2BE4 67 | 133.4 3388 | 147.6 3749 | 75.4 1915 | 73.0 1854 | 38.4 975 | 7.9 201 | 14 in. FLG. 350mm FLG. | 14 in. FLG. 350mm FLG. |
| 2BE4 72 | 141.3 3589 | 155.3 3945 | 82.5 2096 | 78.1 1985 | 41.8 1062 | 7.9 201 | 16 in. FLG. 400mm FLG. | 16 in. FLG. 400mm FLG. |

All dimensions are approximate



The 2BE4 pumps allow efficient operation over the entire vacuum range without the need to change the pump's internals. When equipped with a center shroud, split vacuum operation up to 12 in. Hg (400 millibar) differential can be achieved. Large inspection ports allow easy access to pump internals for inspection and maintenance.

For more aggressive applications, stainless steel, stainless steel clad and epoxy coated components are available.



NASH - Division of Gardner Denver

phone: +1 800 553 NASH · +1 724 239 1500 · fax: +1 724 239 1503 · email: nash@gardnerdenver.com

GDNash.com