

Installation, Operating & Maintenance Manual

(Original Instructions)

DRUM

IN-LINE MICRONIC FILTERS

Models

M329 - 200

M329 - 300A

M329 - 450A



4991130001
September 2013

Contents

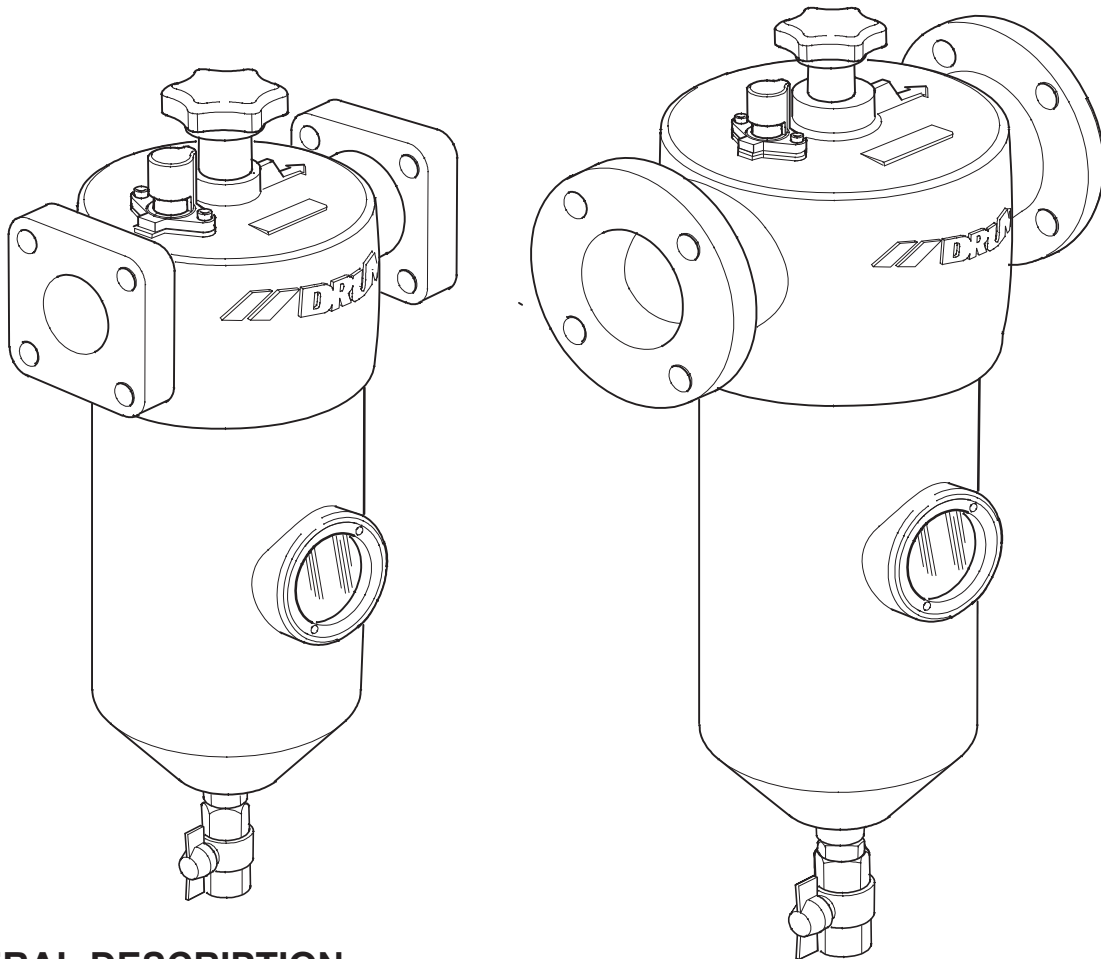
Description	Page
General Description	3
Dimensions & Performance Data	4
Operation of the Restriction Indicator	5
Maintenance	6
Removing the element	6
Cleaning the filter	7
Spare Parts List for M329 - 200	8/9
Spare Parts List for M329 - 300A / 450A	9/10

IN-LINE MICRONIC FILTERS

M329 - 200 (200mm element)

M329 - 300A (300mm element)

M329 - 450A (450mm element)



GENERAL DESCRIPTION

The Drum International range of Micronic Filters are supplied in three basic sizes to suit various applications when discharging bulk foodstuff. The filters cover a performance range of 200m³/hr to 1000m³/hr, with the filter element being rated at 5 micron, (Refer page 3 for further details of dimensions and performance figures). Both the Filter bowl and element are of stainless steel construction thus making the cleaning and maintenance of these items a quick and simple operation.

A sightglass is built into the filter bowl wall to allow visual inspection of the filter element, additionally, a coloured indicator is located on the filter body to give warning of the element's condition.

The two larger filter assemblies feature industry standard TW1 flanges allowing easy fitment into compressor air systems.

2 GENERAL DIMENSIONS AND PERFORMANCE FIGURES

The DRUM range of Micronic filter assemblies are supplied in three basic models to suit various applications and are classed by the overall length of the filter element. The element sizes are 200, 300, and 450mm. (Refer Figs 1,2, and 3 for dimensions and performance data.)

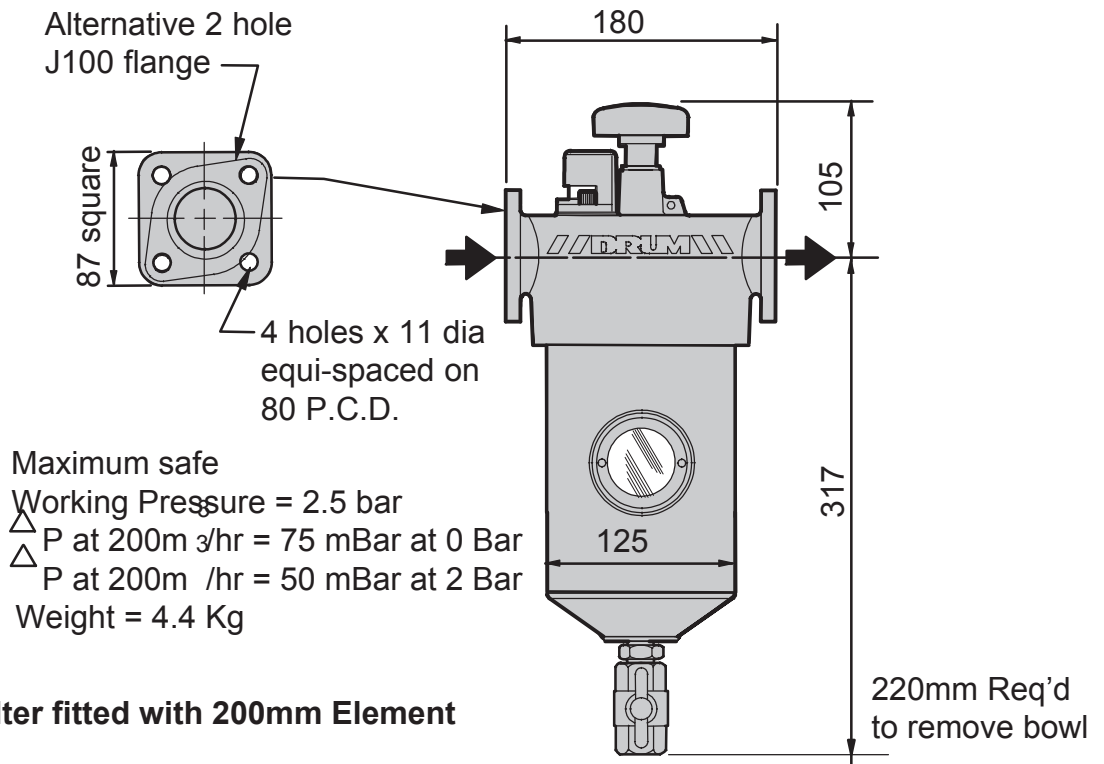


Fig1. Filter fitted with 200mm Element

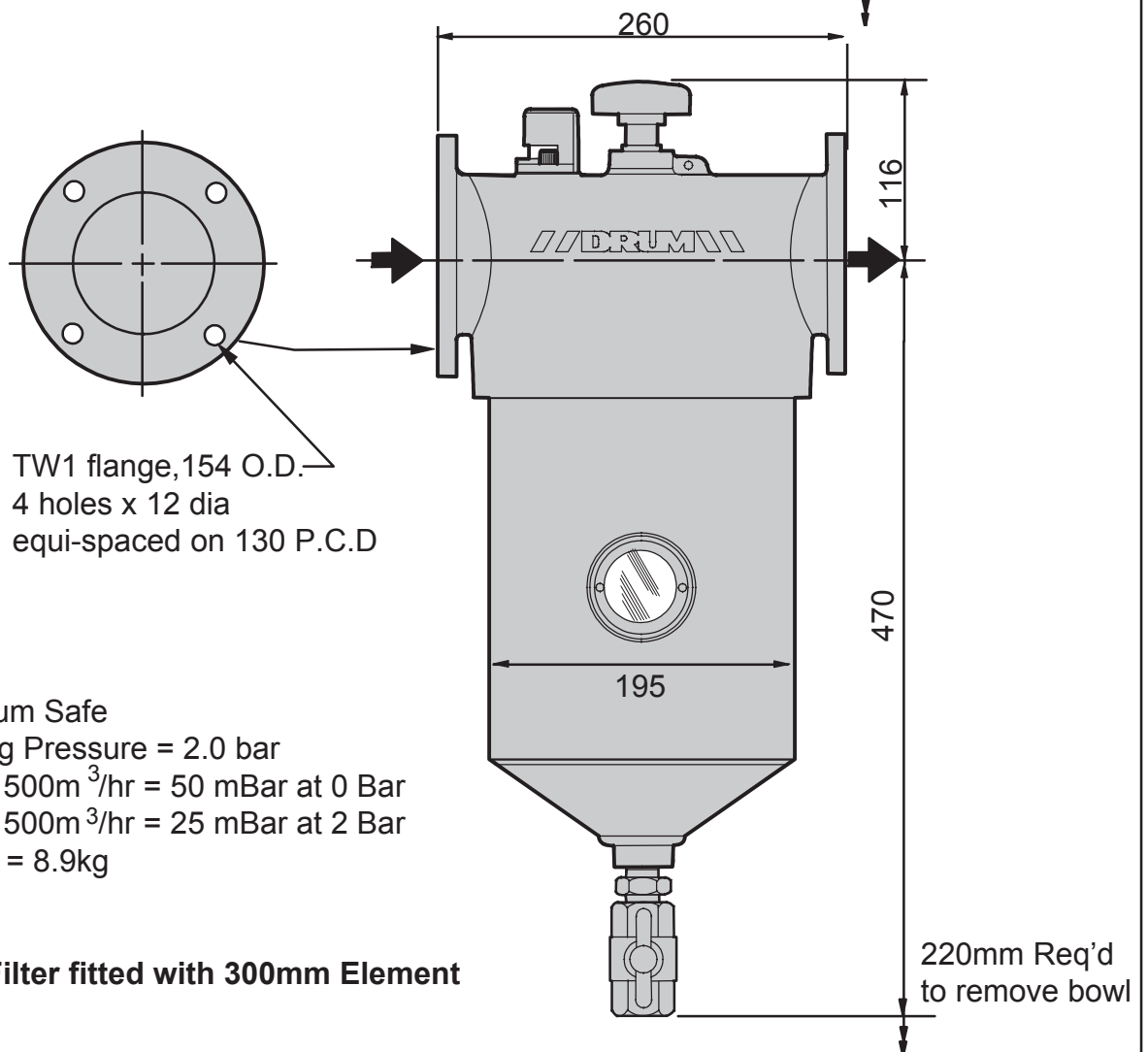
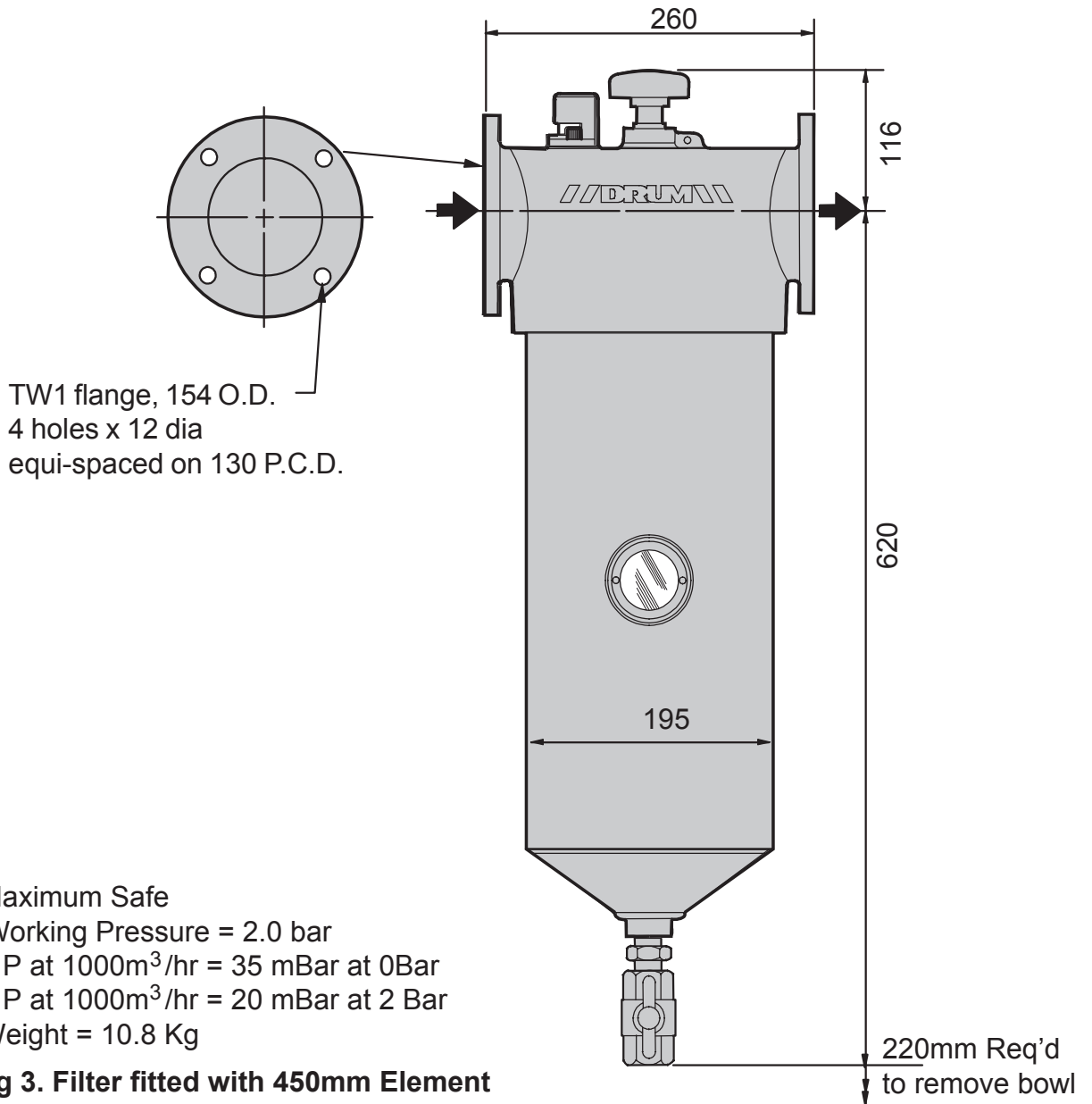


Fig 2. Filter fitted with 300mm Element



2. OPERATION OF THE RESTRICTION INDICATOR

An indicator is built into the filter assembly and is activated by a pressure difference within the filter as the element becomes restricted. The indicator window normally displays a green sleeve when the element is functioning correctly but as the filter becomes contaminated, the green sleeve will move upwards allowing the red indicator sleeve to come into view. The indicator will show fully red when the pressure difference reaches 200 mBar. It is recommended that the filter element is cleaned as soon as the red sleeve appears, as a drop in air delivery pressure will occur. (Refer Fig. 4)

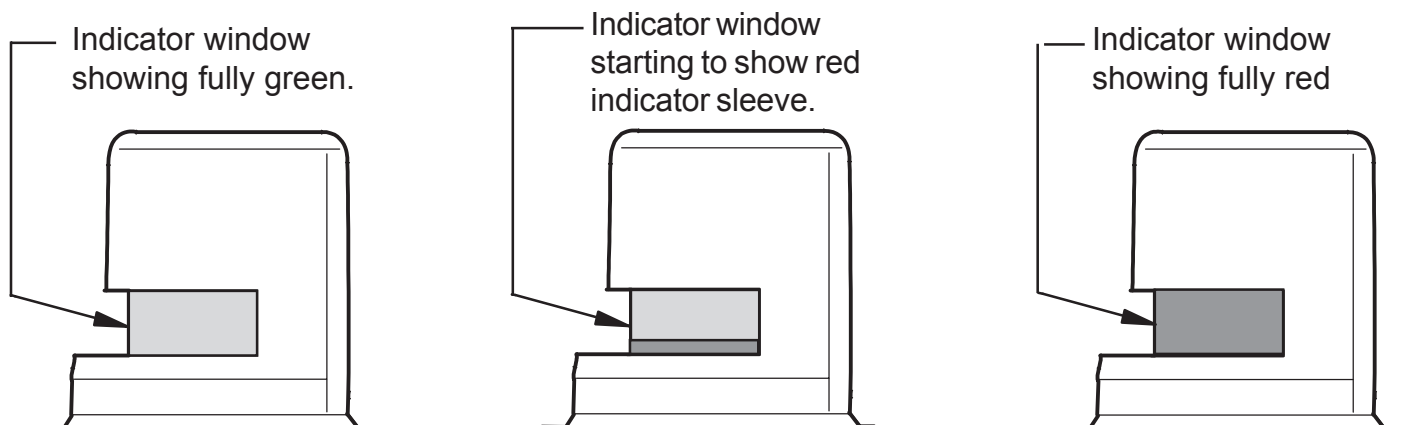


Fig 4.

3. MAINTENANCE

When the clogging indicator has started to turn red as described in section 2 the filter element will have to be cleaned. (Refer to Fig 5 for identification of parts)

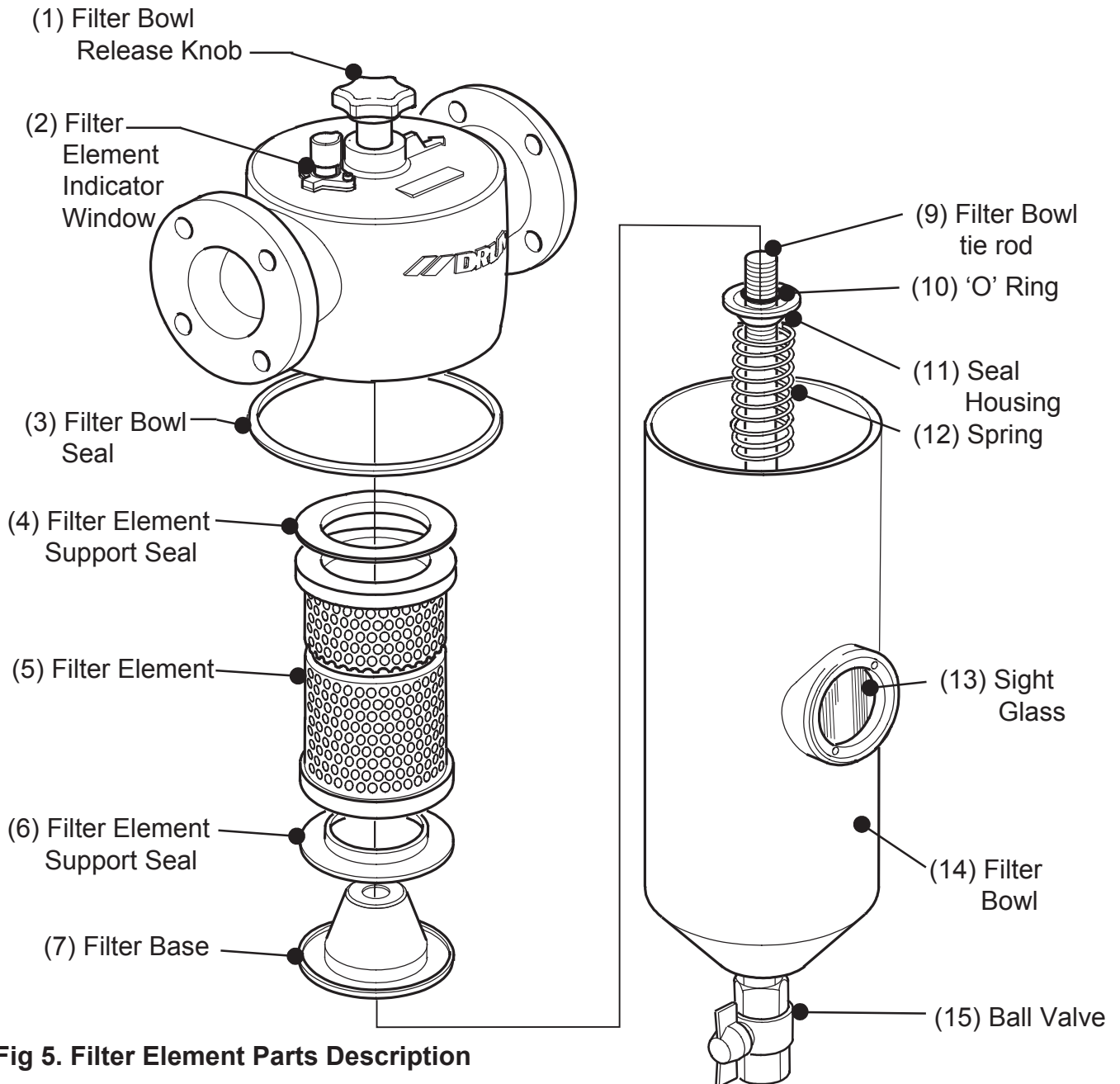


Fig 5. Filter Element Parts Description

4 REMOVING THE FILTER ELEMENT

- 4.1 Before any attempt can be made to remove the filter element, any air in the system must be vented from the filter by opening the ball valve (15) located at the base of the filter bowl.
- 4.2 Release the filter bowl (14) by rotating the release knob (1). Ensure filter bowl is supported.
- 4.3 Remove Filter Bowl taking care not to damage the seal (3)
- 4.4 Extract the element (5) complete with the two support seals (4) and (6)
- 4.5 Inspect the seals for damage and replace if necessary

4. REMOVING THE FILTER ELEMENT (Cont'd)

4.1 Extract the filter bowl seal from the filter body, inspect for damage and replace if necessary.

5. CLEANING THE FILTER / FILTER ELEMENT

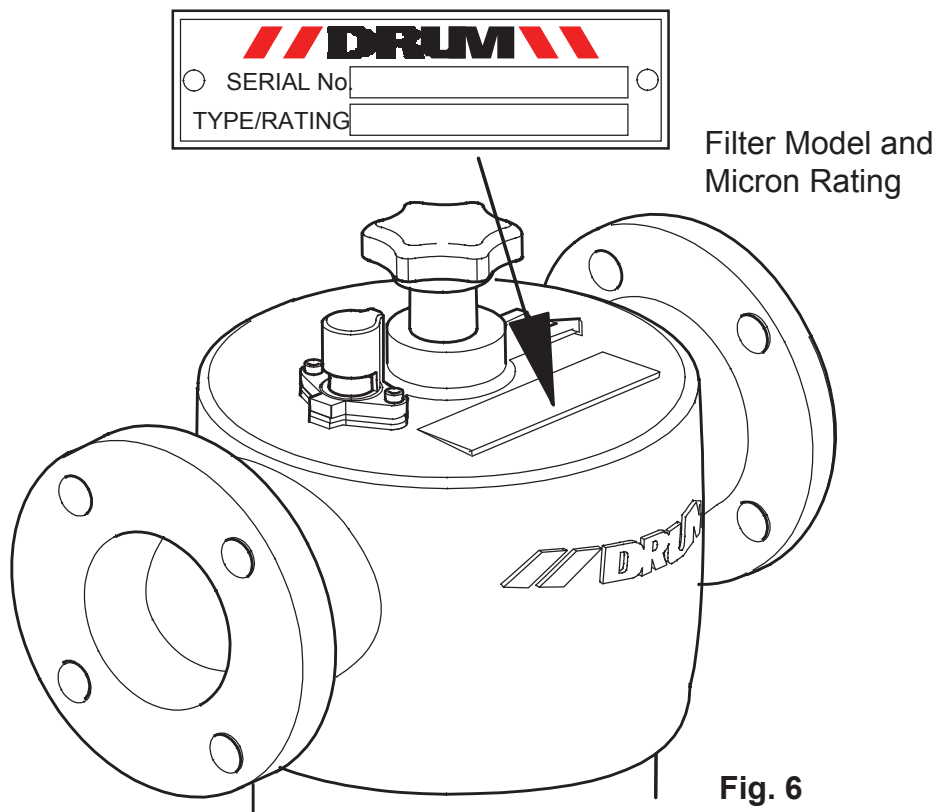
5.1 It is recommended that the filter element be ultrasonically cleaned, if you do not have access to such equipment please follow the procedure outlined below

5.2 Immerse the filter element into a suitable receptacle filled with hot soapy water / commercial detergent and remove any contaminants by agitating and rotating the element

5.3 When the element has been cleaned it is advisable to repeat the process in clean water and thoroughly rinse until all traces of detergent have been removed. By using a high pressure water jet or steam pressure lance working from the inside outwards, the same effect can be achieved. The element should be dried, preferably using a compressed air line again blowing from the inside outwards.

5.4 Visually inspect the element after cleaning for any remaining contaminants and repeat the cleaning procedure if necessary. The filter element should also be checked for any damage to the pleated media, if in doubt DO NOT use and replace with a new unit./

SERIAL No./ MODEL IDENTIFICATION

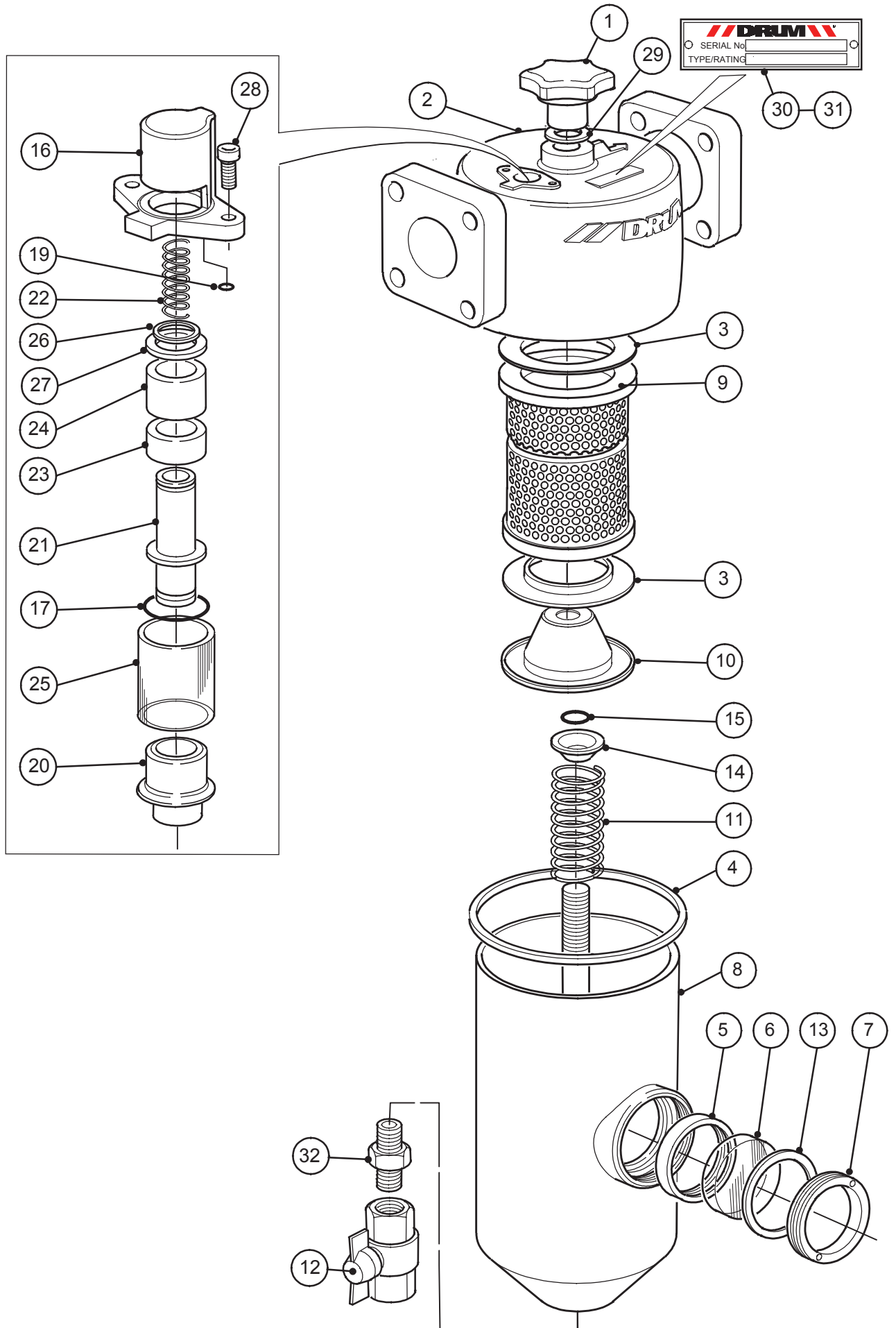


SPARE PARTS LISTING FOR :-

M329 - 200 Micronic Filter Assembly

ITEM	DESCRIPTION	PART No.	Qty
1	Star Knob	6451100000-2	1
2	Body	3051287463-2	1
3	Filter Element Seal	7080100604-2	2
4	Filter Bowl Seal	7080400604-2	1
5	Sight Glass Seal	7080300604-2	1
6	Sight Glass	6482400687-2	1
7	Sight Glass Locking Ring	8780700252-2	1
8	Filter Bowl	7310887000-2	1
9	Filter Element*	6288587000-2	1
10	Filter Base	3203387251-2	1
11	Spring	SK939/14	1
12	Ball Valve	7654300000-2	1
13	Washer (53.5 x 43 x 1)	DEV193/9	1
14	Seal Housing	8240700059-2	1
15	'O'-Ring	6741900604-2	1
16	Indicator Body	8061300459-2	1
17	'O' Ring	6759100604-2	1
19	'O' Ring	6742400604-2	1
20	Diaphragm	8210500604-2	1
21	Indicator Plunger	8651000630-2	1
22	Spring	8871500000-2	1
23	Indicator Sleeve	DEV193/50	1
24	Indicator Sleeve	DEV193/49	1
25	Sight Glass	DEV193/8	1
26	Retaining Ring	DEV193/53	1
27	Collar	DEV193/48	1
28	Cap Screw	M450067020-2	2
29	Washer	M630120000-8	1
30	Serial No. Plate	6727800451-2	1
31	Drive Screw	M510038006-2	2
32	Straight Adaptor	6916000242-2	1

*Note: When replacing a Filter Element, it is recommended that both the part number and the filtration rating are quoted. These items can be found on a plate attached to the element.



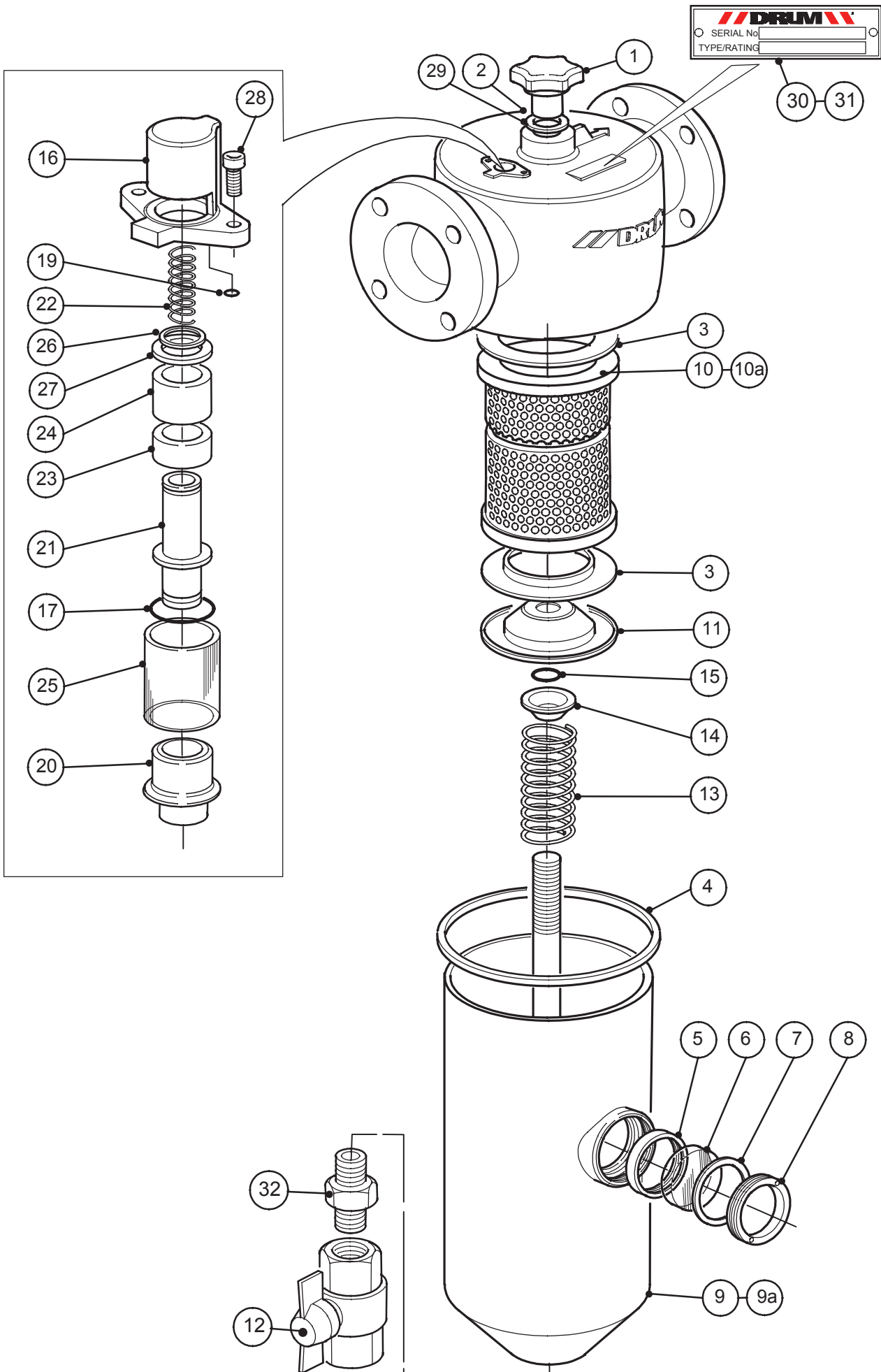
M329 - 200 Micronic Filter Assembly

SPARE PARTS LISTING FOR :-

M329 - 300A & 450A Micronic Filter Assemblies

ITEM	DESCRIPTION	PART No.	Qty
1	Star Knob	6451100000-2	1
2	Body	3051288463-2	1
3	Filter Element Seal	7080200604-2	2
4	Filter Bowl Seal	7080500604-2	1
5	Sight Glass Seal	7080300604-2	1
6	Sight Glass	6482400687-2	1
7	Washer (53.5 x 43 x 1)	DEV193/9	1
8	Sight Glass Locking Ring	8780700252-2	1
9	Filter Bowl (M329 - 300)	7310988000-2	1
9a	Filter Bowl (M329 - 450)	7310989000-2	1
10	Filter Element (M329 - 300)	6288688000-2	1
10a	Filter Element (M329 - 450A)	6320589000-2	1
11	Filter Base	3203388251-2	1
12	Ball Valve	7654500000-2	1
13	Spring	SK939/14	1
14	Seal Housing	8240700059-2	1
15	'O'-Ring	6741900604-2	1
16	Indicator Body	8061300459-2	1
17	'O'-Ring	6759100604-2	1
19	'O' Ring	6742400604-2	1
20	Diaphragm	8210500604-2	1
21	Indicator Plunger	8651000630-2	1
22	Spring	8871500000-2	1
23	Indicator Sleeve	DEV193/50	1
24	Indicator Sleeve	DEV193/49	1
25	Sight Glass	DEV193/8	1
26	Retaining Ring	DEV193/53	1
27	Collar	DEV193/48	1
28	Cap Screw	M450067020-9	2
29	Washer	M630120000-8	1
30	Serial No. Plate	6727800451-2	1
31	Drive Screws	M510038006-2	2
32	Straight Adaptor	6916000242-2	1

*Note: When replacing a Filter Element, it is recommended that both the part number and the filtration rating are quoted. These items can be found on a plate attached to the element.



DRUM
 SERIAL No: _____
 TYPE/RATING: _____

M329 - 300A & 450A Micronic Filter Assemblies

Contact Us

Americas

Gardner Denver, Inc.
Industrial Products Group - Americas
1800 Gardner Expressway
Quincy, IL. 62305
Toll Free: 1-800-682-9868
Phone: 217-222-5400
Fax: 217-221-8780

email: mobilesolutions@gardnerdenver.com

France

Gardner Denver France SA
Division Compresseurs
42, rue du Montmurier, BP 604
38070 Saint-Quentin-Fallavier, France
Phone: +33 (0)474941673
Fax: +33 (0)474941689

email: contact.lyon@gardnerdenver.com

UK Sales & Service

Gardner Denver UK Ltd
PO Box 468
Cross Lane, Tong
Bradford, West Yorkshire
United Kingdom
BD4 0SU
Phone: +44 (0)1274 683131
Fax: +44 (0)1274 651006

email: sales.uk@gardnerdenver.com

Australia

Gardner Denver Ind. Australia Pty Ltd
30 Bearing Road
Seven Hills
New South Wales
2147 Australia
Phone: +61 2 96207000
Fax: +61 2 96207955

email: hermant.malik@gardnerdenver.com

Germany

Gardner Denver Deutschland GmbH
Am Dorn 14
48308 Senden
Germany
Phone: +49 (0)253634840
Fax: +49 (0)25363484010

email: info.de@gardnerdenver.com

Spain

Gardner Denver Iberica S.L.
Calle Primavera, 20
Poligono Industrial Las Monjas
28850 Torrejon de Ardoz
Madrid, Spain
Phone: +34 (0)916560056
Fax: +34 (0)916770496

email: aurelio.fernandez@gardnerdenver.com

Belgium

Gardner Denver Belgium N.V.
Luithagen 7A
Haven 200
B-2030 Antwerpen
Belgium
Phone: +32 (0)3 5415040
Fax: +32 (0)3 5416509

email: info.be@gardnerdenver.com

Netherlands

Gardner Denver Nederland BV
Barwoutswaarder 3B
3449 He Woerden
The Netherlands
Phone: +31 (0)348410150
Fax: +31 (0)348418079

email: sales.nl@gardnerdenver.com

Rest of the World

Gardner Denver Ltd
PO Box 178
Springmill Street
Bradford, West Yorkshire
United Kingdom
BD5 7YH
Phone: +44 (0)1274 718100
Fax: +44 (0)1274 655272

email: gdtransportsales@gardnerdenver.com

For additional information, contact your local representative or

The logo for Gardner Denver, featuring the word "Gardner" in a large, bold, black sans-serif font, with a thick red horizontal line underneath it. Below the line, the word "Denver" is written in a smaller, bold, black sans-serif font.

Gardner Denver Ltd
PO Box 178,
Springmill Street,
Bradford,
West Yorkshire, UK
BD5 7YH

Tel: +44 (0)1274 718100

Fax: +44 (0)1274 655272

Email: gdtransportsales@gardnerdenver.com

Web: www.gd-transport.com