

### FEATURES

- > Oil-less
- > Low vibration
- > Low sound level
- > Compact design
- > Light weight

### TYPICAL APPLICATIONS

- > Patient monitoring
- > Anaesthetic control
- > Gas detection
- > Flue gas measurement
- > Pipetting

### BASE MODEL

3014VD LC

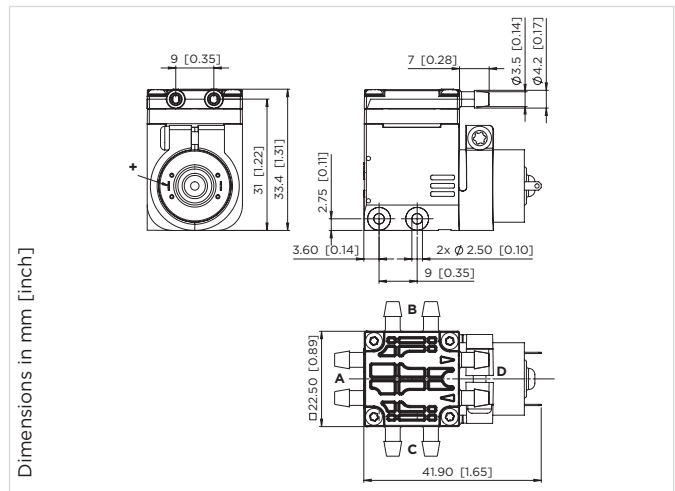
3014VD DC



Diaphragm

# 3014VD LC

Flow	1.0 l/min
Max. pressure	840 mbar
Max. vacuum	65 %



## PNEUMATIC DATA

Description	3014VD/0.6/E/LC		3014VD/0.6/E/LC	3014VD/0.6/E/LC
Part number	3.0 V	30140001	30140002	30140003
	4.5 V			
	12.0 V			
Max. flow		0.65 l/min	0.75 l/min	1.0 l/min
Max. intermittent pressure		770 mbar	790 mbar	840 mbar
Max. continuous pressure		200 mbar	200 mbar	200 mbar
Max. restart pressure		Ambient pressure*	Ambient pressure*	Ambient pressure*
Max. intermittent vacuum		60 %	60 %	65 %
Max. continuous vacuum		20 %	20 %	20 %
Max. restart vacuum		Ambient pressure*	Ambient pressure*	Ambient pressure*

## ELECTRICAL DATA

Motor type	Permanent magnet	Permanent magnet	Permanent magnet
Max. power consumption	570 mW	690 mW	1030 mW
Protection class	IPO0	IPO0	IPO0

## GENERAL DATA

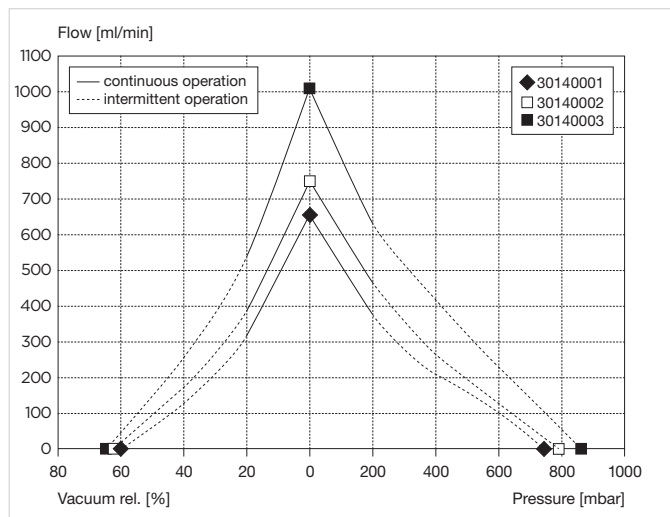
Ambient temperature	10 to 40 °C	10 to 40 °C	10 to 40 °C
Media temperature	10 to 40 °C	10 to 40 °C	10 to 40 °C
Weight	36 g	36 g	36 g
Mounting side	self tapping screw Ø 3 mm (2x)	self tapping screw Ø 3 mm (2x)	self tapping screw Ø 3 mm (2x)
Port direction	D	D	D

## WETTED PARTS

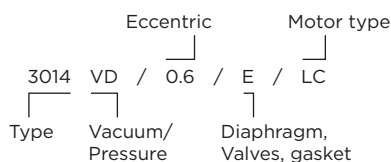
Pump head	PAA	PAA	PAA
Diaphragm	EPDM	EPDM	EPDM
Valve/gasket	EPDM	EPDM	EPDM

\*Part numbers change when restart is required with vacuum or pressure.

## FLOW CURVES

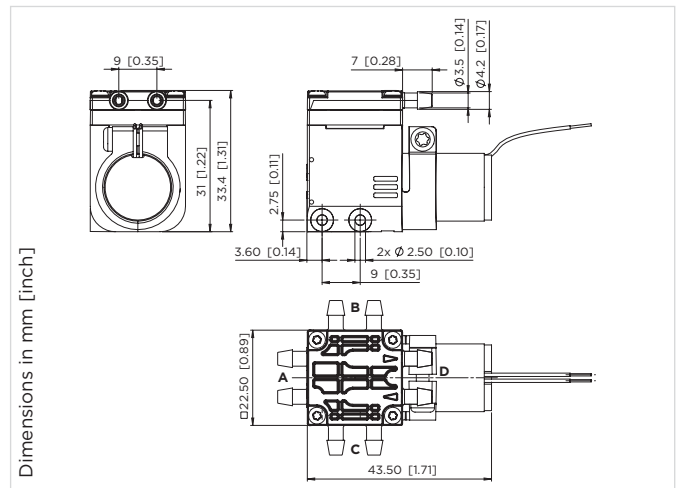


Model key:



# 3014VD DC

Flow	1.0 l/min
Max. pressure	840 mbar
Max. vacuum	65 %



## PNEUMATIC DATA

Description	3014VD/0.6/E/DC	3014VD/0.6/E/DC	3014VD/0.6/E/DC
Part number	4.5 V 6.0 V 12.0 V	30140004	30140005
			30140006
Max. flow	0.8 l/min	0.8 l/min	1.0 l/min
Max. intermittent pressure	350 mbar	800 mbar	840 mbar
Max. continuous pressure	200 mbar	200 mbar	200 mbar
Max. restart pressure	Ambient pressure*	Ambient pressure*	Ambient pressure*
Max. intermittent vacuum	35 %	60 %	65 %
Max. continuous vacuum	20 %	20 %	20 %
Max. restart vacuum	Ambient pressure*	Ambient pressure*	Ambient pressure*

## ELECTRICAL DATA

Motor type	Ironless core DC	Ironless core DC	Ironless core DC
Max. power consumption	840 mW	505 mW	950 mW
Protection class	IPO0	IPO0	IPO0

## GENERAL DATA

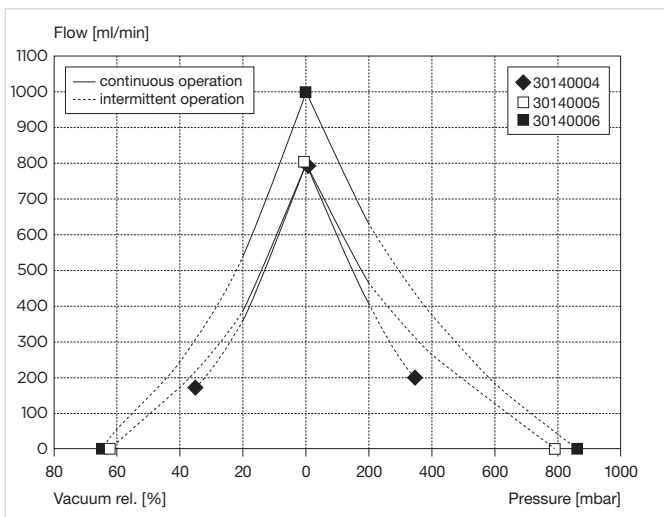
Ambient temperature	10 to 40 °C	10 to 40 °C	10 to 40 °C
Media temperature	10 to 40 °C	10 to 40 °C	10 to 40 °C
Weight	43 g	45 g	43 g
Mounting side	self tapping screw Ø 3 mm (2x)	self tapping screw Ø 3 mm (2x)	self tapping screw Ø 3 mm (2x)
Port direction	D	D	D

## WETTED PARTS

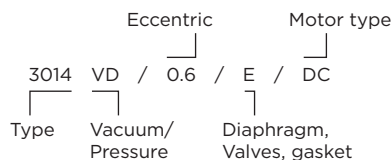
Pump head	PAA	PAA	PAA
Diaphragm	EPDM	EPDM	EPDM
Valve/gasket	EPDM	EPDM	EPDM

\*Part numbers change when restart is required with vacuum or pressure.

## FLOW CURVES



Model key:



PUMP AND COMPRESSOR SOLUTIONS FOR OEMS WORLDWIDE

[gd-thomas.com](http://gd-thomas.com)

The logo for THOMAS, featuring the word "THOMAS" in a bold, black, sans-serif font. Above the letter "A" is a red swoosh that extends to the right.



**Gardner Denver Thomas GmbH**

Livry-Gargan-Str. 10  
82256 Fürstenfeldbruck  
Germany

T +49 8141 2280 0  
F +49 8141 8892136

[thomas.de@gardnerdenver.com](mailto:thomas.de@gardnerdenver.com)

**Gardner Denver Thomas. Inc.**

1419 Illinois Avenue  
Sheboygan. WI 53081  
USA

T +1 920 4574891  
F +1 920 4514276

[td.usa@gardnerdenver.com](mailto:td.usa@gardnerdenver.com)

**Gardner Denver Thomas Pneumatic Systems (Wuxi) Co., Ltd.**

No. 1 New Dong An Road, Shuofang Town, Wuxi, Xinwu District  
Jiangsu 214142  
China

T +86 510 6878 2258  
F +86 510 6878 2200

[thomas.cn@gardnerdenver.com](mailto:thomas.cn@gardnerdenver.com)

The information presented in this material is based on technical data and test results of nominal units. It is believed to be accurate and reliable and is offered as an aid to help in the selection of Thomas products. It is the responsibility of the user to determine the suitability of the product for the intended use and the user assumes all risk and liability in connection therewith. Thomas does not warrant, guarantee or assume any obligation or liability in connection with this information.

Models presented in this catalog are representative of the product family. Photos of products pictured in this catalog do not necessarily represent a specific model number. To obtain further information for custom options, contact your local Thomas office.

Printed in Germany Form No. 17003014 10/2020 © Gardner Denver Thomas GmbH. All rights reserved.