

Loading Arm with Vapor Return Hose

BOOM TOP LOADERS

Emco Wheaton's E2630 consists of our reliable long reach loading arm combined with a hose for vapor return; making it ideal for loading hydrocarbons (e.g. gasoline, as well as other toxic and/or aggressive media).

By loading with a vapor return hose, operators are able to improve terminal profitability and minimize environmental impact, by recovering vaporized product directly through the loading arm.

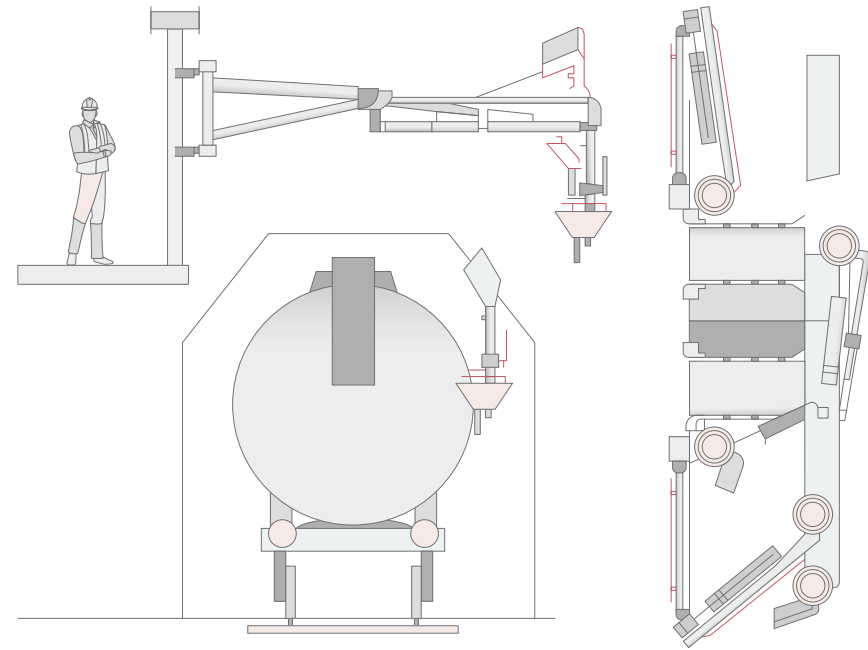
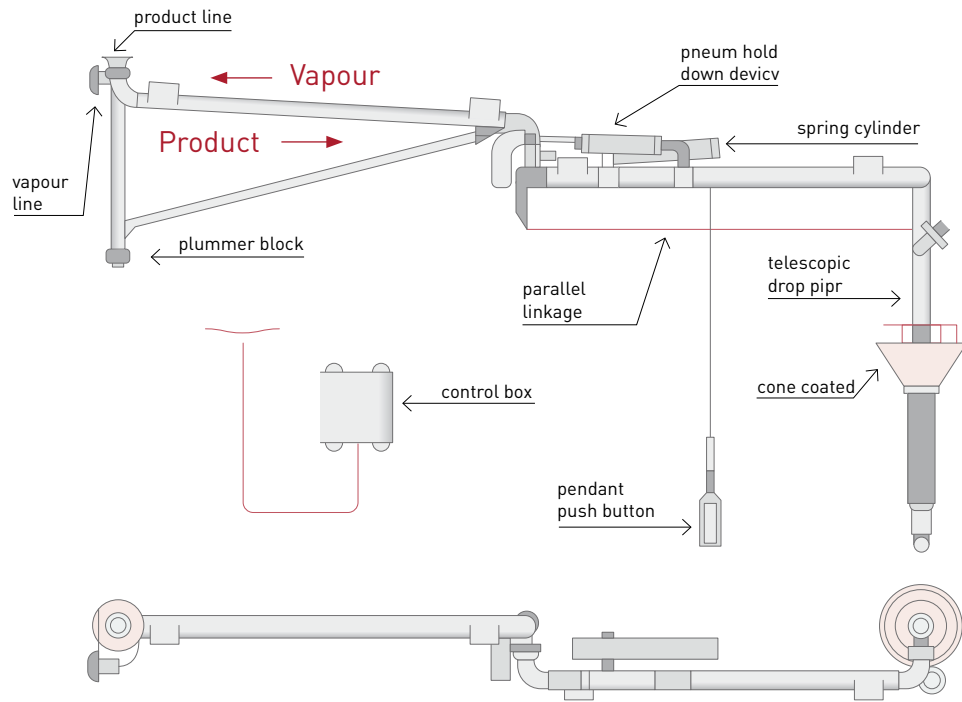
Loading with a sealed manhole, operators can further maximize the level of protection offered to both operators and the environment, while also meeting legal requirements and regulations (e.g. EUNorm, German TA-Luft).



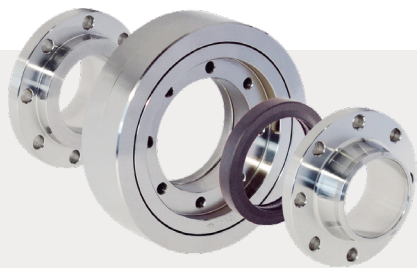
FEATURES & BENEFITS

- Petroleum applications
- Chemical applications
- Long life
- Low maintenance
- Easy handling
- Material: carbon steel/alu, low temperature steel, stainless steel, PTFE-lined
- Temperature range from -50 °C to +50 °C (-53 °F to +122 °F)
- Comprehensive range of safety accessories
- EMCO-high performance swivel joints

The E2630 is the most economical loading solution that is equipped with vapor return. The E2630 provides reliable and easy handling, thanks to its low weight and minimal offset. The E2630 can also be used where available space is limited, e. g. existing loading stations with low roof heights.



TECHNICAL DATA				
SIZES	SEALS	APPLICATION RANGE	DESIGN	ACCESSORIES
Product DN 50 - Vapor DN 50	NBR, EPDM, PTFE, special materials	<ul style="list-style-type: none"> • High temperature on request • Heating of product line with steam, thermo-oil or electrically • Low temperature on request 	<ul style="list-style-type: none"> • Piggable • Acc. WHG acc. VbF (international) 	<ul style="list-style-type: none"> • Cover plate • Cone • Telescopic drop pipe
Product DN 80 - Vapor DN 50				
Product DN 100 - Vapor DN 80 / 50				
Product DN 150 - Vapor DN 100 / 80				



EMCO WHEATON carbon steel swivel joint with hardened ball race way for a long life time! For more details see our data sheet **D2000 Swivel Joint**.