

FEATURES

- > Handles liquid/gas mixture
- > Self priming
- > High flow
- > High pressure
- > Compact design
- > Reduced pulsation
- > Bubble free media transfer

TYPICAL APPLICATIONS

- > Ink Jet Printers
- > Diagnostic Workstations
- > Fuel Cells

BASE MODEL

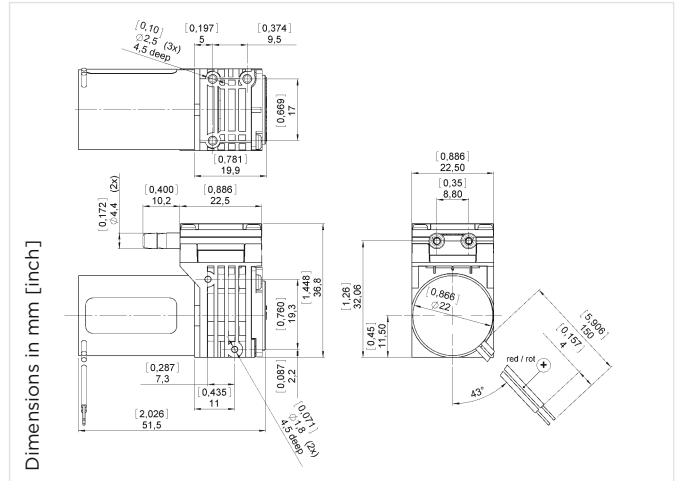
1210 DC
1210 LC



Diaphragm

Diaphragm Liquid Pump 1210 DC

Flow	180 ml/min
Pressure height	up to 10 m H₂O
Suction height	6 m H₂O



HYDRAULIC DATA

Description	1210 DC PP/EPDM	1210 DC PP/FPM
Part number	12 V DC 24 V DC	12100001 12100002
Max. flow	180 ml/min	150 ml/min
Max. continuous pressure height	10 m H ₂ O	10 m H ₂ O
Max. suction height	6 m H ₂ O	5 m H ₂ O

ELECTRICAL DATA

Motor type	Ironless Core DC	Ironless Core DC
Nominal speed	2800 rpm	2700 rpm
Nominal voltage	12/24 V DC	12/24 V DC
Max. power consumption @ 10 m H ₂ O	1,5 W	1,6 W
Motor insulation class	H	H
Protection class	IPOO	IPOO
EMC protection	yes	yes

GENERAL DATA

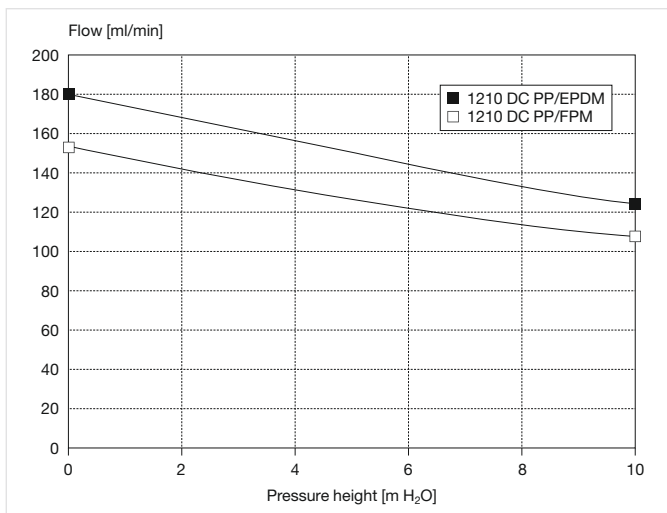
Ambient temperature	15 to 40 °C	15 to 40 °C
Media temperature	0 to 70 °C	15 to 70 °C
Weight	0,073 kg	0,073 kg

WETTED PARTS

Pump head	PP	PP
Diaphragm	EPDM	FPM
Valves	EPDM	FPM

The technical data is related to a Polyurethane tubing, OD 6mm x ID 4mm, Hardness Shore D 45.

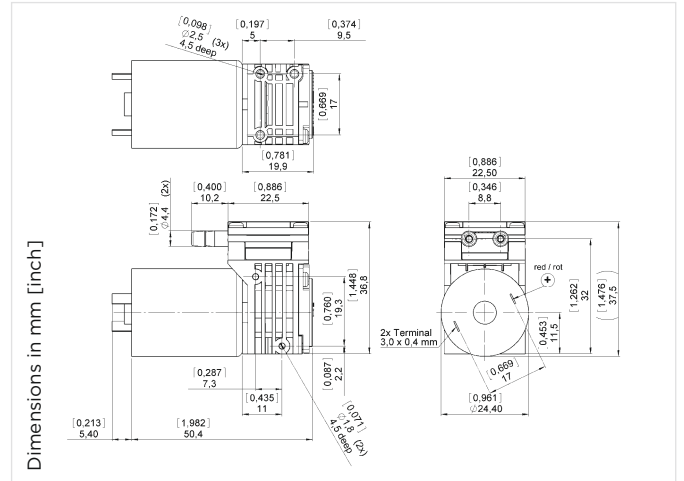
FLOW CURVES



1210... Stock programme

Diaphragm Liquid Pump 1210 LC

Flow	180 ml/min
Pressure height	up to 10 m H ₂ O
Suction height	6 m H ₂ O



HYDRAULIC DATA

Description	1210 LC PP/EPDM	1210 LC PP/FPM
Part number	12 V DC 24 V DC 12100003 12100004	12100053 12100054
Max. flow	180 ml/min	150 ml/min
Max. continuous pressure height	10 m H ₂ O	10 m H ₂ O
Max. suction height	6 m H ₂ O	5 m H ₂ O

ELECTRICAL DATA

Motor type	Permanent Magnet	Permanent Magnet
Nominal speed	3100 rpm	3000 rpm
Nominal voltage	12/24 V DC	12/24 V DC
Max. power consumption @ 10 m H ₂ O	2,2 W	2,3 W
Motor insulation class	B	B
Protection class	IP00	IP00
EMC protection	yes	yes

GENERAL DATA

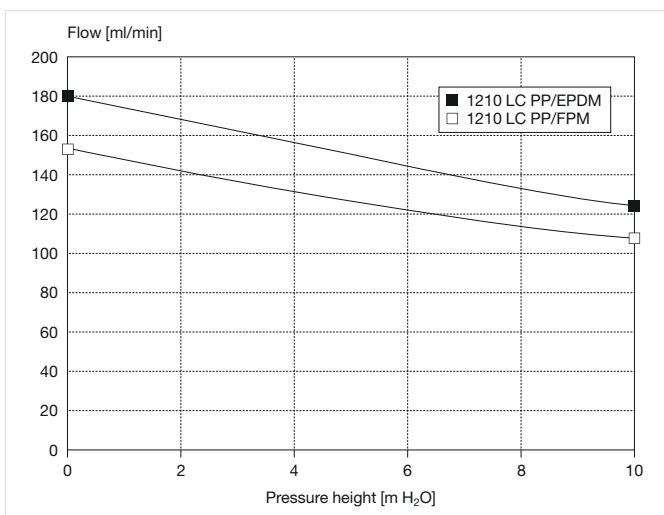
Ambient temperature	15 to 40 °C	15 to 40 °C
Media temperature	0 to 70 °C	15 to 70 °C
Weight	0,063 kg	0,063 kg

WETTED PARTS

Pump head	PP	PP
Diaphragm	EPDM	FPM
Valves	EPDM	FPM

The technical data is related to a Polyurethane tubing, OD 6mm x ID 4mm, Hardness Shore D 45.

FLOW CURVES



1210... Stock programme

PUMP AND COMPRESSOR SOLUTIONS FOR OEMS WORLDWIDE

gd-thomas.com



Gardner Denver Thomas GmbH
Livry-Gargan-Str. 10
82256 Fürstenfeldbruck
Germany
T +49 8141 2280 0
F +49 8141 8892136
thomas.de@gardnerdenver.com

Gardner Denver Hong Kong, Limited
Unit 1317-1318 Delta House, 3 On Yiu Street
Siu Lek Yuen, Shatin, New Territories
Hong Kong
T +852 26903502
F +852 27924598
thomas.hk@gardnerdenver.com

Gardner Denver Thomas, Inc.
1419 Illinois Avenue
Sheboygan, WI 53081
USA
T +1 920 4574891
F +1 920 4514276
td.usa@gardnerdenver.com

THOMAS
by Gardner Denver

The information presented in this material is based on technical data and test results of nominal units. It is believed to be accurate and reliable and is offered as an aid to help in the selection of Thomas products. It is the responsibility of the user to determine the suitability of the product for the intended use and the user assumes all risk and liability in connection there with. Thomas does not warrant, guarantee or assume any obligation or liability in connection with this information.

Models presented in this catalog are representative of the product family. Photos of products pictured in this catalog do not necessarily represent a specific model number. To obtain further information for custom options, contact your local Thomas office.

Printed in Germany Form No. 17000223 05/2017 © Gardner Denver Thomas GmbH. All rights reserved.