

Gardner
Denver

DRY BULK TRUCK BLOWERS

HPD450/E490



HPD450 & E490

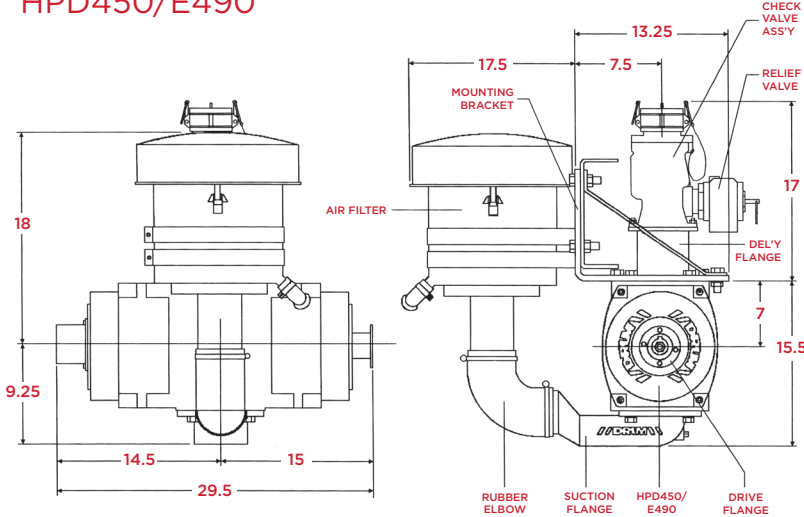
Dry Bulk Truck Blower

The HPD450 & E490 are compact, high efficiency, low discharge temperature units & offer 100% oil free air delivery. These rotary vane blowers are capable of overcoming high pressure drops, high altitudes, and for use on trailers with small air pads. Either model can be configured for mobile or stationary operation, while providing completely oil-free air delivery for pneumatically conveying cement, lime, gypsum or other fine, dry bulk materials.*

D450 & E490 Specifications

	HPD450	E490
Pressure	up to 25 psi	up to 30 psi
Flow	up to 325 cfm	
Speed	800-1600 rpm, 1800 rpm electric	
Weight	300 lbs	

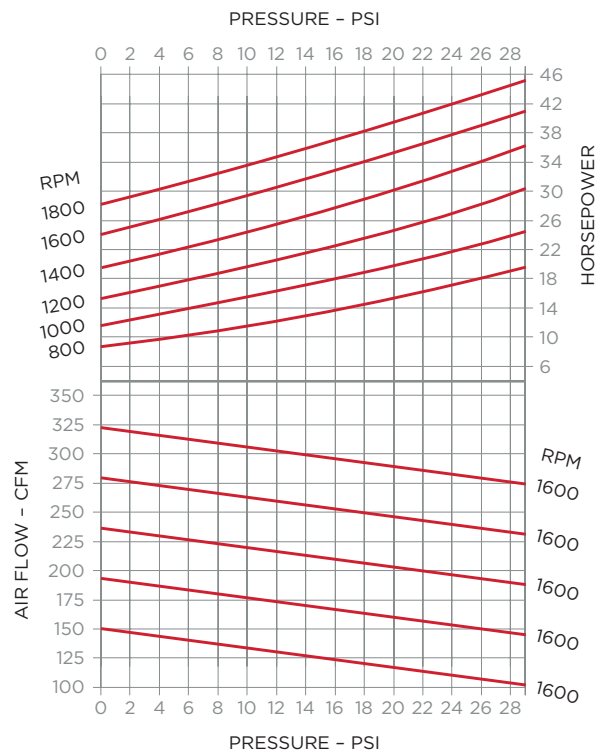
Installation Dimensions HPD450/E490



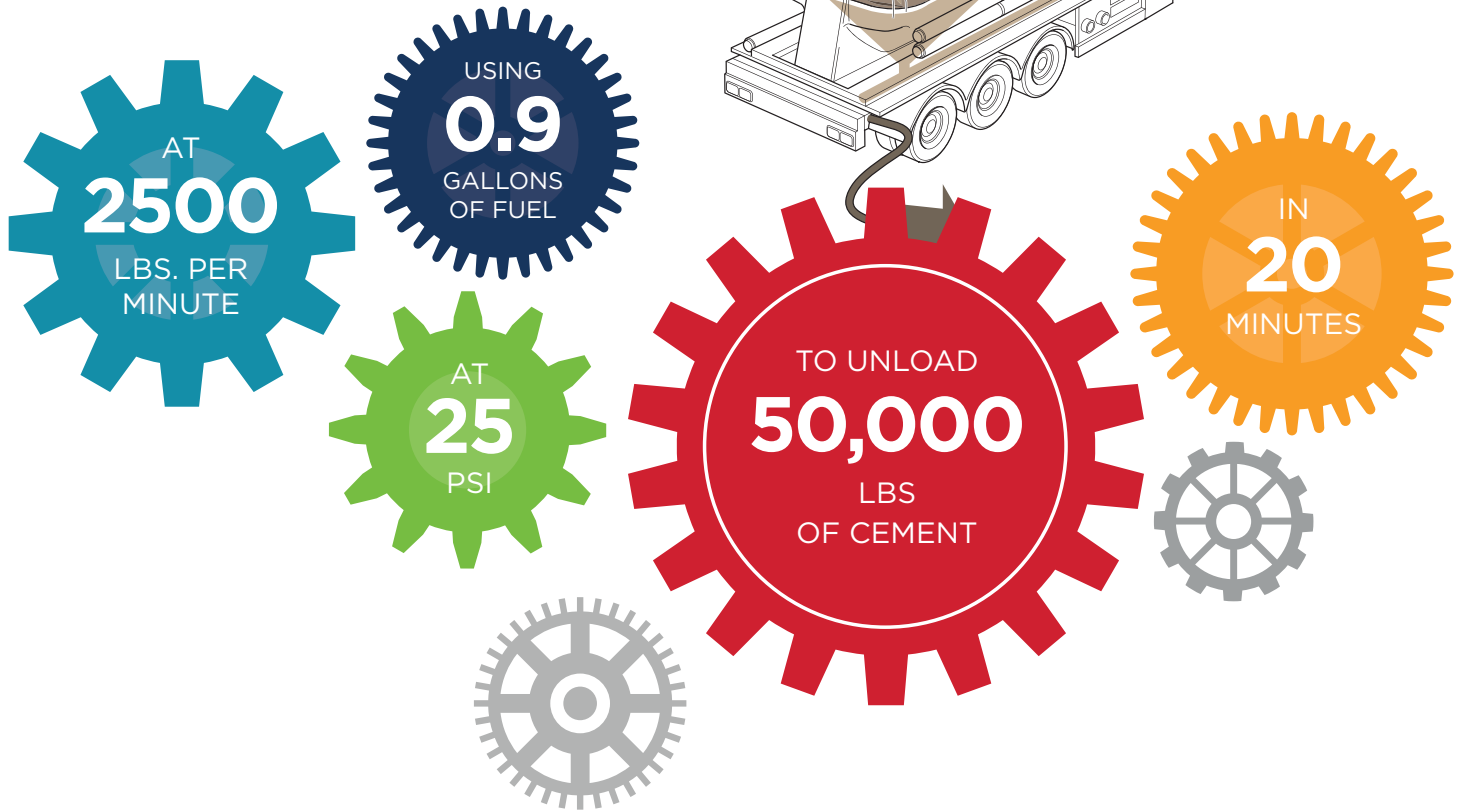
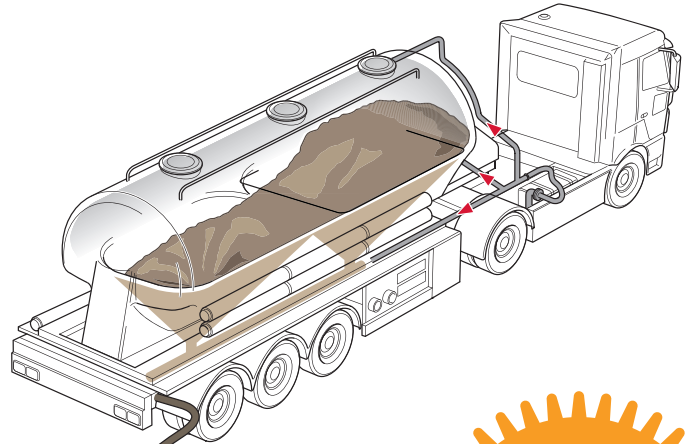
Features & Benefits

- Ear protection not required during normal operation
- Compact design allowing direct PTO mount and easy installation
- Low rotor speed and internal compression provides a smoother air stream
- Special carbon vanes which automatically adjust for wear, giving continuous full performance
- Coolest truck blower allowing for greater machine life and extended hot hose life on the trailer

*Not intended for use with foodstuffs.



HPD450/E490 Can Deliver Product



HPD450/E490 Performance

PTO DRIVE

ELECTRIC

PRESSURE PSI	800 RPM		1000 RPM		1200		1400 RPM		1600 RPM		1800 RPM	
	CFM	HP	CFM	HP	CFM	HP	CFM	HP	CFM	HP	CFM	HP
0	163	9	200	13	240	17	260	20	325	25	370	30
5	140	10	190	14	230	19	275	23	320	28	360	32
10	142	13	180	17	225	21	270	25	315	30	355	34
15	135	14	175	19	220	23	265	28	310	32	345	36
20	130	16	170	21	215	26	260	31	300	35	330	40
25 (HPD 450)	125	19	165	25	210	28	255	33	295	37	325	44
30	120	21	160	27	205	31	250	36	290	41	320	46

Performances based on inlet air at standard temperature of 68°F, and ambient pressure of 14.7 psia and 36% relative humidity. Dimensions shown in inches.

The leader in every market we serve
by continuously improving all business processes
with a focus on innovation and velocity

**Gardner
Denver**[®]

Gardner Denver, Inc.

1800 Gardner Expressway
Quincy, IL 62305
866-376-8181

www.gardnerdenver.com/gdproducts



©2020 Gardner Denver, Inc. Printed in U.S.A.
GDT-HPD450-E490 2nd Ed. 10/20
Supersedes GDT-HPD450 2nd Ed. 8/09

