

**Gardner  
Denver**

HYDRAULIC DRIVE COOLING SYSTEMS

# MH1 & MH3 Series Hydrapak<sup>®</sup>



## What is a Hydrapak?

The Hydrapak is a pre-engineered, highly efficient, hydraulic oil cooling package. The MH series Hydrapak is the culmination of over 20 years of experience in the field and has proven to be the most affordable and the best value in the transportation industry.

## Typical Applications

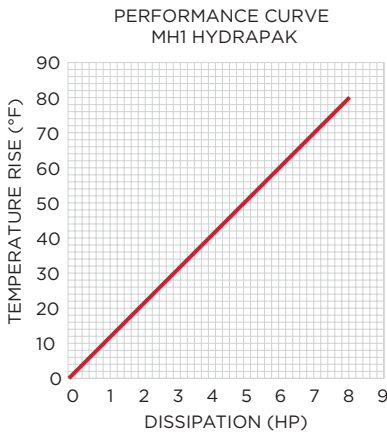
- Crude Oil Transports
- LP Gas Transports
- LP Gas Bobtails
- Food & Chemical Transports
- Bulk Feed
- Lube Trucks
- Maintenance Trucks
- Hydraulic Winch Drives
- Utility Equipment
- Agriculture Equipment
- Mining Equipment
- Water Trucks
- CO<sub>2</sub> Delivery Trucks
- Vacuum Trucks
- Live Floor



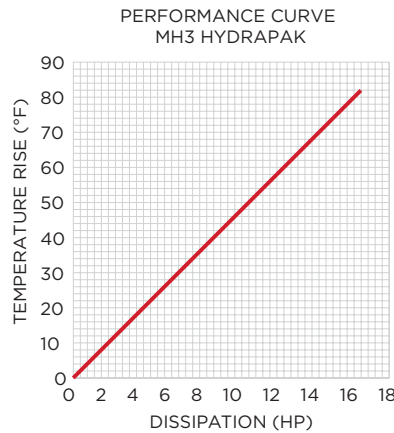
## MH1 & MH3 SPECIFICATIONS

Model	Pressure (up to)	Reservoir Size	Flow Rate (up to)	Dry Weight
	PSIG BAR	GALLONS LITERS	GPM L/MIN	LBS KG
MH1	3,000 207	2 7.5	20 76	49 22
MH3	3,500 <sup>(1)</sup> 241	4 15	40 151	75 34

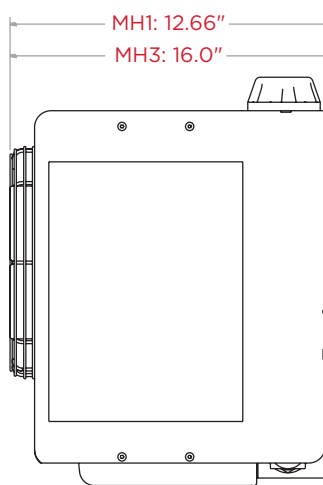
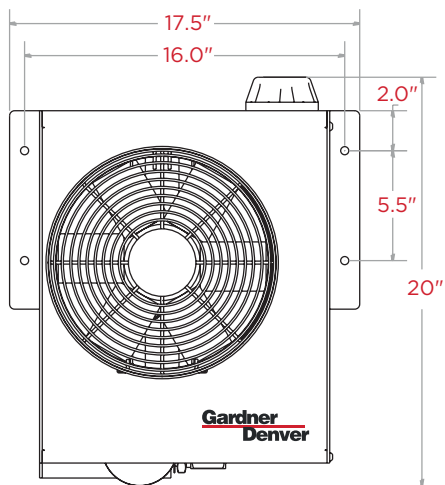
(1) 5,000 psi (345 bar) option available. Actual performance may vary based on system design, environment, and maintenance.



Notes: Curve based on following data:  
16 GPM & 105°F, ISO Ambient, 32 Oil



Notes: Curve based on following data:  
20 GPM & 105°F, ISO Ambient, 32 Oil



## CONNECTIONS

### MH1

- High Pressure: 12 (3/4") JICM
- Low Pressure Return: 12 (3/4") JICM
- Suction: -20 NPTF

### MH3

- High Pressure: 12 (3/4") JICM
- Low Pressure Return: 16 (1") JICM
- Suction: -24 (1 1/2") Code 61 split flange with variety of hose barb options
- 2" NPTF for flows over 25 gpm

The leader in every market we serve  
by continuously improving all business processes  
with a focus on innovation and velocity

**Gardner  
Denver**<sup>®</sup>


**Gardner Denver, Inc.**

1800 Gardner Expressway  
Quincy, IL 62305  
866-376-8181

[www.gardnerdenver.com/gdproducts](http://www.gardnerdenver.com/gdproducts)



©2019 Gardner Denver, Inc. Printed in U.S.A.  
GDT-MH1-MH3 2nd Ed. 2/19

 Please recycle after use.