

### FEATURES

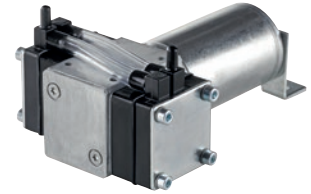
- > Oil-less
- > Low vibration
- > Low sound level

### TYPICAL APPLICATIONS

- > Medical devices
- > Clinical analyzers
- > Air collector
- > Inhalators
- > Autoclaves

### BASE MODEL

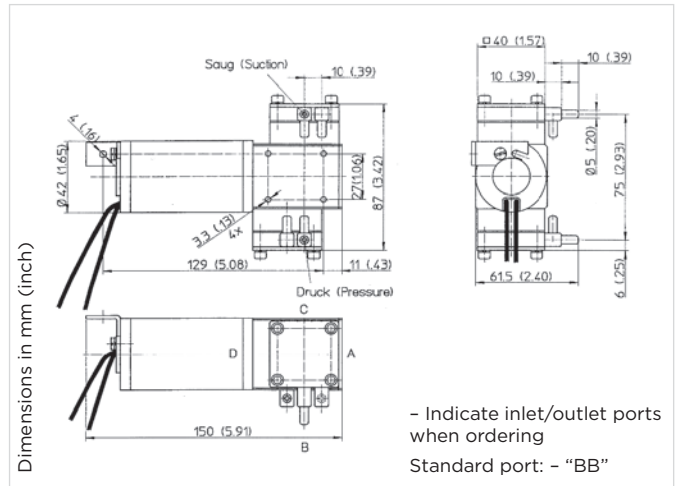
7011 DC  
7011Z DC



Diaphragm

# Diaphragm Pump 7011 DC

Flow	11.0 l/min
Max. pressure	2.3 bar
Max. vacuum	90 %



## PNEUMATIC DATA

Description	7011VDP/2.2/NFN/DC	7011VR/2.2/N/DC
Part number	12 V DC 24 V DC <b>70110008</b> 70110042	70110252
Max. flow	11.0 l/min	6.5 l/min
Max. intermittent duty	2.3 bar	
Max. continuous pressure	0.8 bar	
Max. restart pressure	Ambient pressure*	
Max. vacuum	73%	90%
Max. continuous vacuum	73%	90%
Max. restart vacuum	Ambient pressure*	90%

## ELECTRICAL DATA

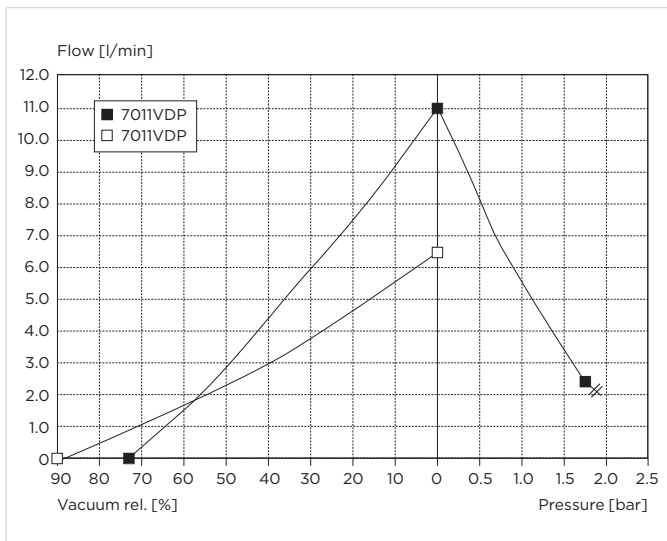
Motor type	Permanent magnet	Permanent magnet
Nominal voltage	12/24 V DC	12/24 V DC
Nominal speed	3100 rpm	3100 rpm
Current consumption	2.0/1.0 A	1.7 A
Starting current	4.5/3.5 A	4.5 A
Power consumption	24 W	20 W
Motor insulation class	E	E
Protection class	IP20	IP20

## GENERAL DATA

Ambient temperature	15 to 40 °C	15 to 40 °C
Media temperature	15 to 60 °C	15 to 60 °C
Weight	0.85 kg	0.85 kg
Port direction	BB	BB
Configuration	Parallel	Series

\* Part numbers change when restart is required with vacuum or pressure.

## FLOW CURVES



## WETTED PARTS

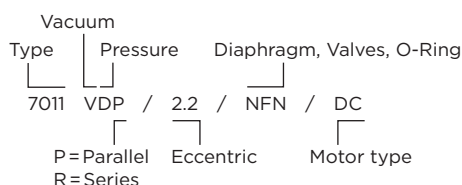
Pump chamber	PAA
Pump head	PAA
Diaphragm	NBR
Valves	FKM
O-Ring	NBR
Diaphragm plate screw	Galvanized steel

## OPTIONS

PPS
PPS
EPDM, PTFE (EPDM, FKM)
EPDM, NBR
EPDM, FKM

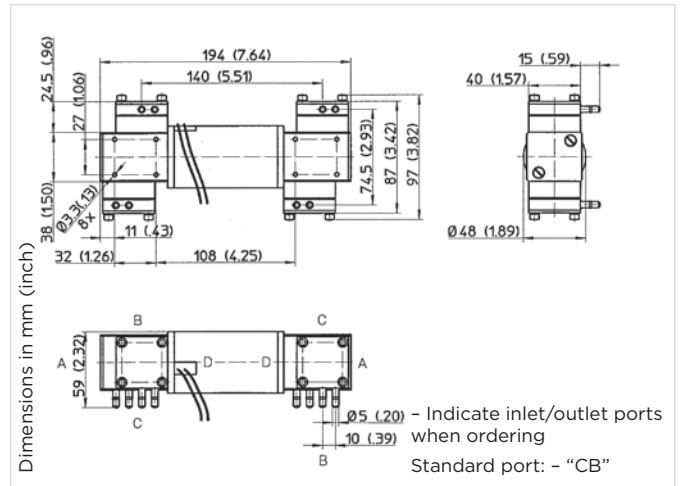
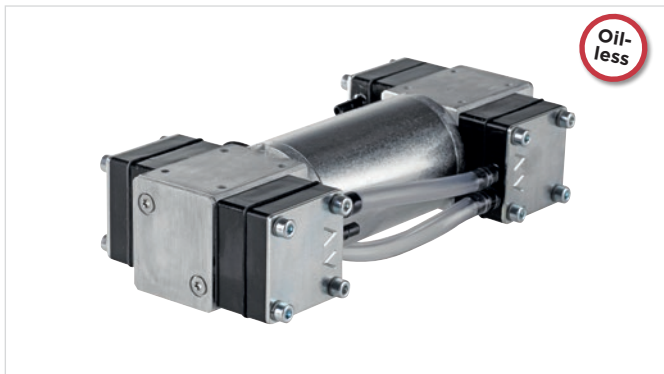
7011... Stock programme

Model key:



# Diaphragm Pump 7011Z DC

Flow	24.0 l/min
Max. pressure	2.5 bar
Max. vacuum	98 %



## PNEUMATIC DATA

Description	7011ZVDP/2.2/FFN/DC	7011ZVR/2.2/VVN/DC
Part number	12 V DC 70110520 24 V DC 70110521	70110037 70110069
Max. flow	24.0 l/min	7.5 l/min
Max. intermittent duty	2.5 bar	
Max. continuous pressure	0.5 bar	
Max. restart pressure	Ambient pressure*	
Max. vacuum	73 %	98 %
Max. continuous vacuum	73 %	98 %
Max. restart vacuum	Ambient pressure*	98 %

## ELECTRICAL DATA

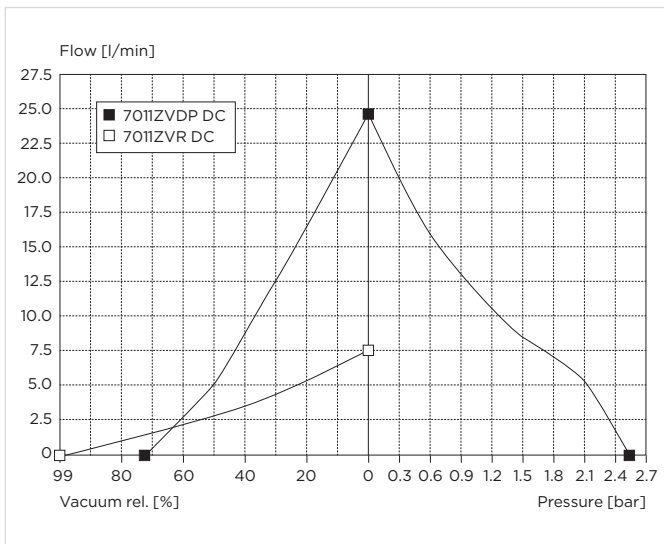
Motor type	Permanent magnet	Permanent magnet
Nominal voltage	12/24 V DC	12/24 V DC
Nominal speed	3200 rpm	3200 rpm
Current consumption	3.8/1.9 A	3.8/1.9 A
Starting current	11.7/8.2 A	11.7/8.2 A
Power consumption	46 W	46 W
Motor insulation class	E	E
Protection class	IP20	IP20

## GENERAL DATA

Ambient temperature	15 to 40 °C	15 to 40 °C
Media temperature	15 to 60 °C	15 to 60 °C
Weight	1.4 kg	1.4 kg
Port direction	CB	CB
Configuration	Parallel	Series

\* Part numbers change when restart is required with vacuum or pressure.

## FLOW CURVES



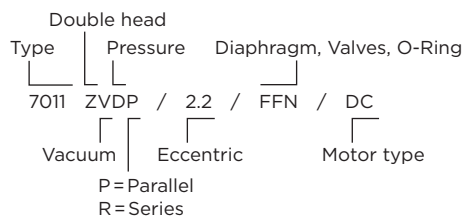
## WETTED PARTS

Pump chamber	PAA
Pump head	PA
Diaphragm	FKM
Valves	FKM
O-Ring	NBR
Diaphragm plate screw	Galvanized steel

## OPTIONS

PPS
PPS
EPDM, PTFE (EPDM, FKM)
EPDM, NBR
EPDM, FKM

Model key:



PUMP AND COMPRESSOR SOLUTIONS FOR OEMS WORLDWIDE

[gd-thomas.com](http://gd-thomas.com)



**Gardner Denver Thomas GmbH**

Livry-Gargan-Str. 10  
82256 Fürstenfeldbruck  
Germany  
T +49 8141 2280 0  
F +49 8141 8892136  
[thomas.de@gardnerdenver.com](mailto:thomas.de@gardnerdenver.com)

**Gardner Denver Hong Kong, Limited**

Unit 1317-1318 Delta House, 3 On Yiu Street  
Siu Lek Yuen, Shatin, New Territories  
Hong Kong  
T +852 26903502  
F +852 27924598  
[thomas.hk@gardnerdenver.com](mailto:thomas.hk@gardnerdenver.com)

**Gardner Denver Thomas, Inc.**

1419 Illinois Avenue  
Sheboygan, WI 53081  
USA  
T +1 920 4574891  
F +1 920 4514276  
[td.usa@gardnerdenver.com](mailto:td.usa@gardnerdenver.com)

**THOMAS**  
by Gardner Denver

The information presented in this material is based on technical data and test results of nominal units. It is believed to be accurate and reliable and is offered as an aid to help in the selection of Thomas products. It is the responsibility of the user to determine the suitability of the product for the intended use and the user assumes all risk and liability in connection therewith. Thomas does not warrant, guarantee or assume any obligation or liability in connection with this information.

Models presented in this catalog are representative of the product family. Photos of products pictured in this catalog do not necessarily represent a specific model number. To obtain further information for custom options, contact your local Thomas office.

Printed in Germany Form No. 17007011 09/2016 © Gardner Denver Thomas GmbH. All rights reserved.