

AP Series - 115 Volt 60Hz

THOMAS
by Gardner Denver

FEATURES

- > Low sound level
- > Low vibration
- > Low pulsations
- > Low power consumption
- > Oil-less operation
- > Integral intake filter
- > Few moving/wearing parts
- > Protection class IP54
- > UL listed

TYPICAL APPLICATIONS

- > Sewage aeration
- > Pond aeration
- > Aquaculture
- > Air mattress inflation
- > Compression therapy
- > Respiratory therapy
- > Custom water features
- > Air pillow packaging

BASE MODELS

AP-40
AP-60
AP-80
AP-100
AP-120



AP Series



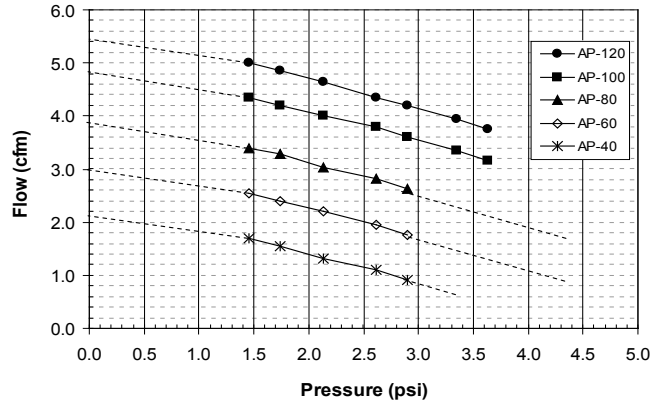
AP Series w/ optional alarm box



Linear

AP Series - 115V 60Hz

Flow	Up to 5.40 cfm
Max. pressure	Up to 4.35 psi
Max. vacuum	N/A



Operation outside specified operating range is not recommended

Model Number	AP-40	AP-60	AP-80	AP-100	AP-120
Manufacturing Code	150131	150132	150133	150142	150139
Manufacturing Code w/Alarm Box	150136	150137	150138	150143	150140

PNEUMATIC DATA					
Rated pressure	1.74 psi	2.13 psi	2.13 psi	2.61 psi	2.61 psi
Flow at rated pressure	1.6 cfm	2.3 cfm	3.0 cfm	3.8 cfm	4.3 cfm
Operating range	1.45 to 2.90 psi	1.45 to 2.90 psi	1.74 to 2.90 psi	1.45 to 3.62 psi	1.45 to 3.62 psi

ELECTRICAL DATA					
Motor type	Linear drive	Linear drive	Linear drive	Linear drive	Linear drive
Nominal voltage, frequency	115V 60Hz	115V 60Hz	115v 60Hz	115V 60Hz	115V 60Hz
Consumption at rated pressure	0.67A / 34W	0.54A / 43W	0.78A / 64W	1.06A / 85W	1.33A / 102W

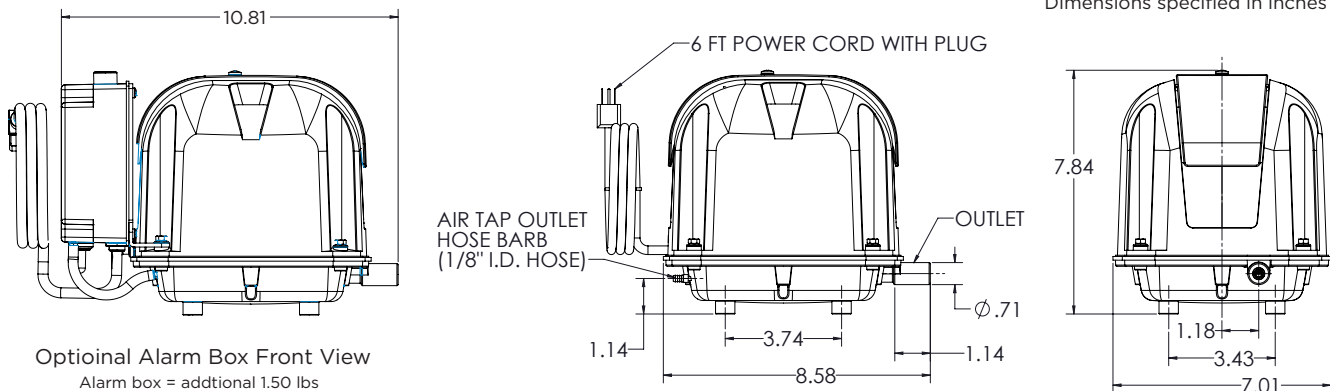
GENERAL DATA					
Operating conditions	14°F - 104°F	14°F - 104°F	14°F - 104°F	14°F - 104°F	14°F - 104°F
Safety certification	UL listed	UL listed	UL listed	UL listed	UL listed
Protection class	IP54	IP54	IP54	IP54	IP54
Net weight	10.3 lbs	10.9 lbs	10.9 lbs	12.6 lbs	12.6 lbs
Sound level at rated pressure	30 dB(A)	32 dB(A)	35 dB(A)	42 dB(A)	42 dB(A)

SERVICE PARTS					
Chamber block assembly replacement	SK-AP30/40	SK-AP60/80	SK-60/80	SK-API00/120	SK-API00/120
Air Filter	641811	641811	641811	641811	641811
Air filter cover gasket	939571	639571	639571	639571	639571
Tank gasket	639572	639572	639572	639572	639572

Note: Units supplied standard with (1) 1.75" x 2.00" 90° outlet hose connector, (2) hose connector clamps, (1) #10-32 x 1/4" screw, & manual

PRODUCT DIMENSIONS

Dimensions specified in inches





PUMP AND COMPRESSOR SOLUTIONS FOR OEMS WORLDWIDE

gd-thomas.com



Gardner Denver Thomas GmbH

Livry-Gargan-Str. 10
82256 Fürstenfeldbruck
Germany
T +49 8141 2280 0
F +49 8141 8892136
thomas.de@gardnerdenver.com

Gardner Denver Hong Kong, Limited

Unit 1317-1318 Delta House, 3 On Yiu Street
Siu Lek Yuen, Shatin, New Territories
Hong Kong
T +852 26903502
F +852 27924598
thomas.hk@gardnerdenver.com

Gardner Denver Thomas, Inc.

1419 Illinois Avenue
Sheboygan, WI 53081
USA
T +1 920 457 4891
F +1 920 451 4276
td.usa@gardnerdenver.com

The information presented in this material is based on technical data and test results of nominal units. It is believed to be accurate and reliable and is offered as an aid to help in the selection of Thomas products. It is the responsibility of the user to determine the suitability of the product for the intended use and the user assumes all risk and liability in connection there with. Thomas does not warrant, guarantee or assume any obligation or liability in connection with this information.

Models presented in this catalog are representative of the product family. Photos of products pictured in this catalog do not necessarily represent a specific model number. To obtain further information for custom options, contact your local Thomas office.

Form No. 850-4018 02/17

©2013 Gardner Denver Thomas.

All rights reserved.