

Gardner
Denver

ROTARY VANE COMPRESSORS/VACUUM PUMPS
FOR VACUUM TANKERS

Wittig RFL 102



Deeper Vacuum

The RFL 102 provides performance up to 24 inHg continuous vacuum, well above the industry standard of 20 inHg.

Advantages of deeper vacuum are:

- Longer working hose length =
More flexibility at job sites
- Increased working depth =
Ability to pull material from deeper tanks
- Faster load/offload times =
Reduce load time up to 25%, putting more money in your pocket

Available in Multiple Drive Applications

PTO Drive, Gearbox Drive, or Hydraulic Drive

Rugged Oil Tank

- Movable mounting bracket included
- Remote mount option

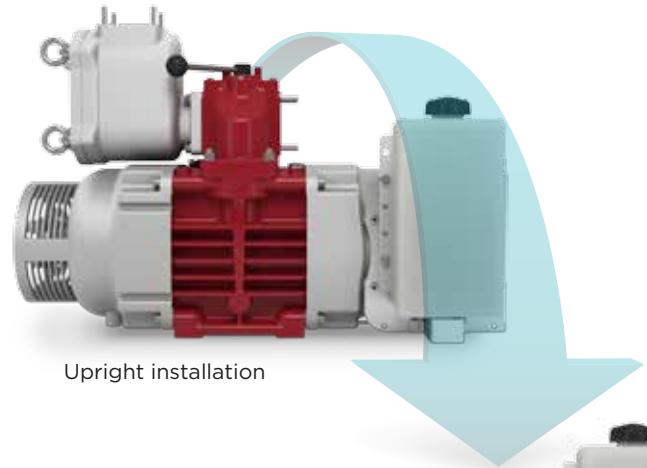
Dual Cooling Fans

The RFL 102 offers dual cooling fans which allow the pump to run cooler and provides a longer pump life.

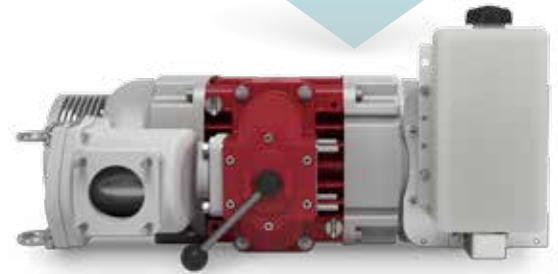
Durable Vane Material

Wittig has been the benchmark for quality and reliability for over 100 years!

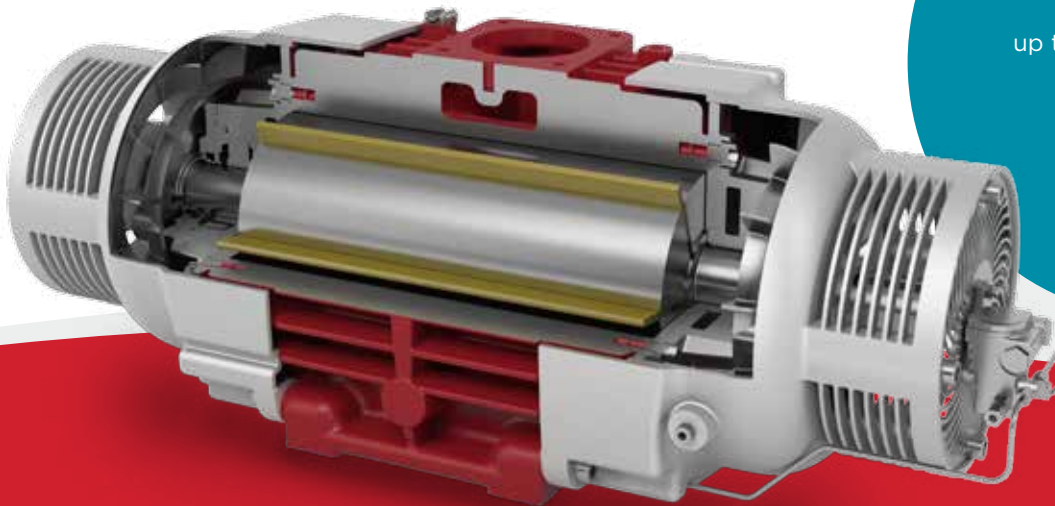
Ease of Installation



Upright installation



Side-mount installation



RFL 102 PERFORMANCE

VACUUM
up to 24 inHg continuous

PRESSURE
to 29 psig

FREE AIRFLOW
to 412 CFM

Ideal Applications

- Restaurant Grease Traps
- Cesspool Pumping
- Septic Tanks
- Oil Well Service
- Holding Pits
- Sludge Removal

PERFORMANCE DATA

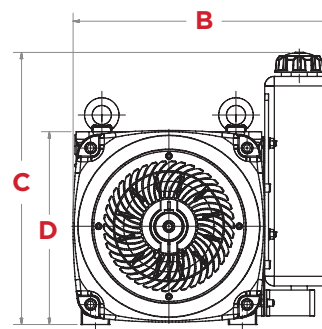
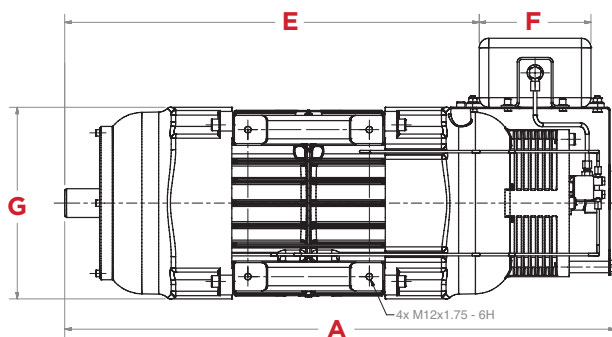
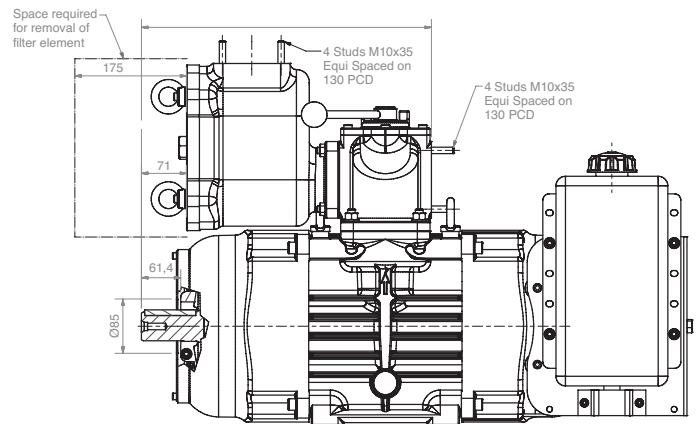
		VACUUM inHG						FREE AIR	PRESSURE PSI			
		24	21	18	15	12	6	0	7.25	14.5	21.75	29
1000	CFM	187	208	222	232	240	245	247	243	232	221	207
	HP	12.1	12.9	13.7	14.5	15.1	16.8	18.1	20.8	24.4	29	33.5
1250	CFM	246	275	296	306	315	324	325	319	306	291	275
	HP	16.1	16.8	17.4	18.1	18.8	20.4	22.5	25.1	30.2	35.8	42.0
1500	CFM	309	353	376	888	400	414	417	400	384	359	333
	HP	18.8	19.8	20.8	21.7	22.5	24.3	26.1	29.2	35.5	42.1	48.9

WEIGHT

	KG	LBS
BARE MACHINE	179	395
WITH RFV & FILTER	189	417

DIMENSIONS

	MILLIMETERS	INCHES
A	862	33.93
B	408	16
C	430	16.9
D	302	11.88
E	649	25.5
F	175	6.88
G	300	11.8





Gardner Denver®

Gardner Denver, Inc.

1800 Gardner Expressway
Quincy, IL 62305
866-376-8181

www.gardnerdenverproducts.com



©2016 Gardner Denver, Inc. Printed in U.S.A.
GDT-W-RFL-102 1st Ed. 2/16

Please recycle after use.