

Gardner
Denver

TRANSPORT SOLUTIONS

We keep you moving

The Direct Drive Solution for 6x2 and 6x4 Installations

Oil free Screw Compressors TR 20





6x2 and 6x4 Chassis – The Direct Drive Solution

The Gardner Denver TR 20 screw compressor is the latest machine to be developed for efficient unloading of dry bulk products from road tankers. TR 20 solves the ever increasing challenge of installing a compressor of sufficient capacity for the discharge of a wide variety of products onto six wheel and short wheel base vehicles, with the restrictions of space that legislation and other factors have imposed.



Rotors

Coated steel screw rotors allow for maximum strength, performance and corrosion resistance

We keep you moving



Designed for off-loading dry bulk products in the tank truck markets

Drive Shaft

Elevated drive shaft position provides maximum flexibility for direct PTO propshaft positioning when on restricted chassis installations

Connecting Flange

Optional 4 bolt connecting flange allows alternative drives to be used (e.g. hydraulic)

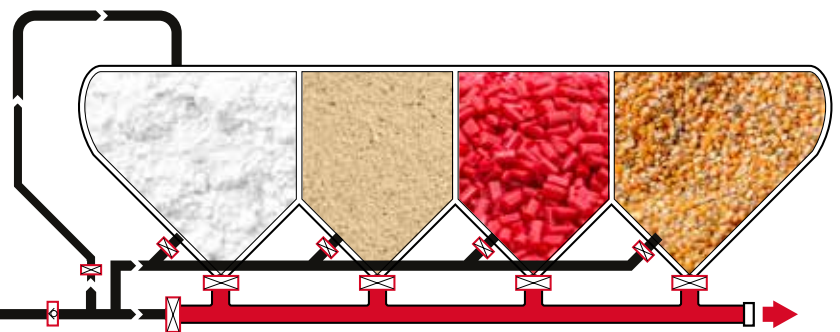


Outlet Ports

Outlet flanges positioned on both sides of the compressor provide increased mounting flexibility

Inlet Flange

A low profile inlet flange reduces the installation envelope



Pulverants / Powders

- Cement
- Flour
- Lime
- Fly Ash

Granules

- Sugar
- Sand
- Salt
- Pulverised Limestone

Pebble

- Limestone
- Plastic Pellets
- Rocksalt
- Dolomite

Feeds

- Corn
- Rice
- Pelletized Feed
- Soy Beans
- Oats



TR 20

Features & Benefits

- Suitable to discharge a wide variety of dry bulk products
- Simplified installation onto 6x2 and 6x4 tractor units or where space is limited for PTO direct drive.
- Greater operational efficiency through weight saving (extra payload) and a simplified drive method
- Oil free, contactless and contaminant free air compressor

Peace of Mind

- Proven technology
- Robust and reliable
- Designed exclusively for truck application
- Low maintenance

Low Noise

- Key developments in rotor design, synchronisation and frequency combined with optimised porting has resulted in the production of our quietest screw compressor to date

Complete Package

- TR 20 is complemented by our range of ancillary equipment and components to suit markets, duties and customer specification; including remote coolers, silencers and filters for general and food grade applications

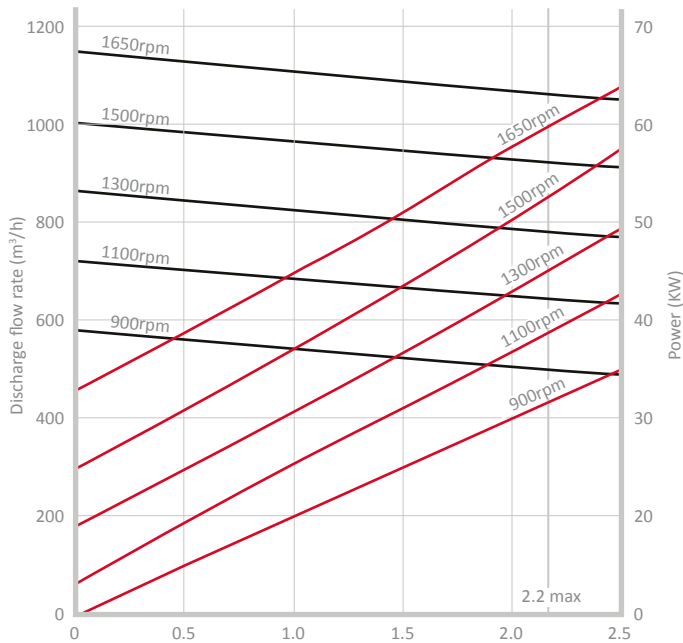
Low Discharge Temperature

- Our special rotor configuration results in high performance and efficiency ensuring the lowest outlet temperature of any comparable truck mounted compressor

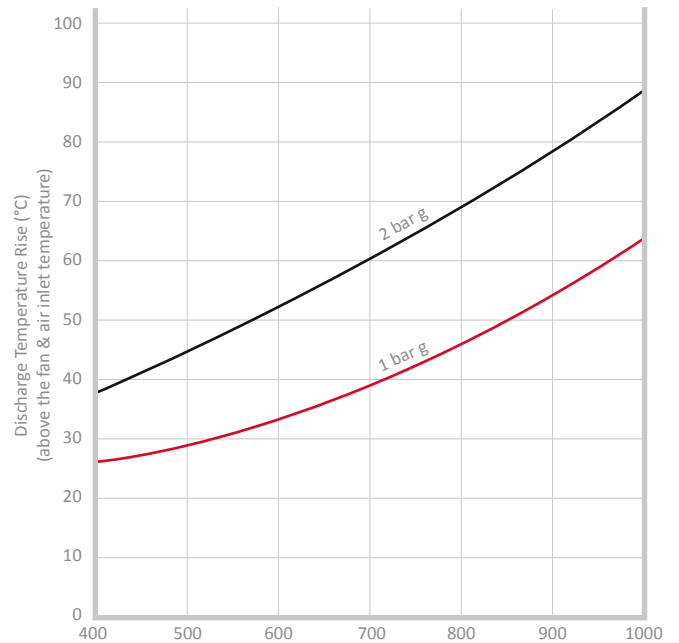
Service & Backup

- Installed at Gardner Denver workshops or at our channel partners
- Extensive network of Gardner Denver service engineers and service partners throughout the World
- Service Programs available throughout Europe

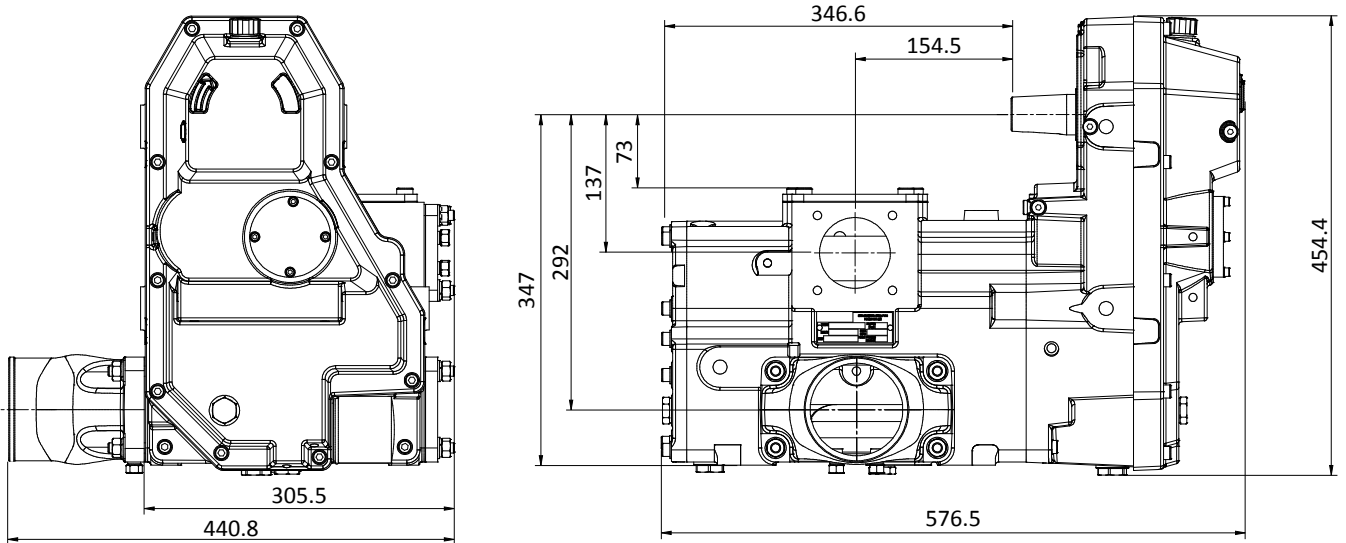
TR 20 Discharge Flow and Input Power



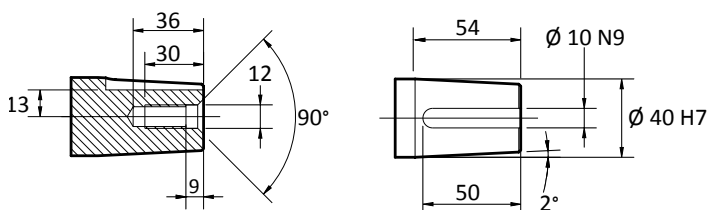
TR 20 Cooler Discharge Temperature



Dimensional Data

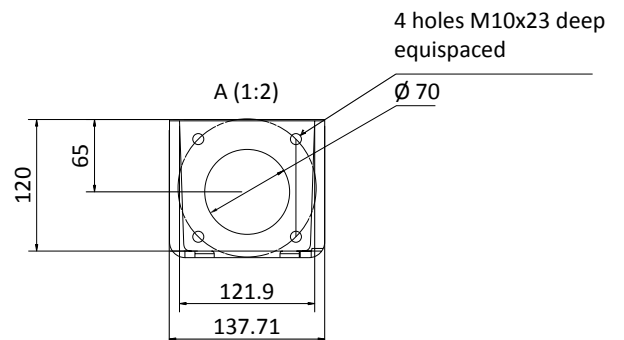


Shaft End Details



Weight TR 20: 140 kg
All dimensions in mm

Delivery Flange Details





Accessories

Remote Air Cooler

The remote air cooler is a modular assembly designed to combine with our range of compressors to supply cool air for discharging products sensitive to high temperature such as sugars and plastics.





Hydrapak

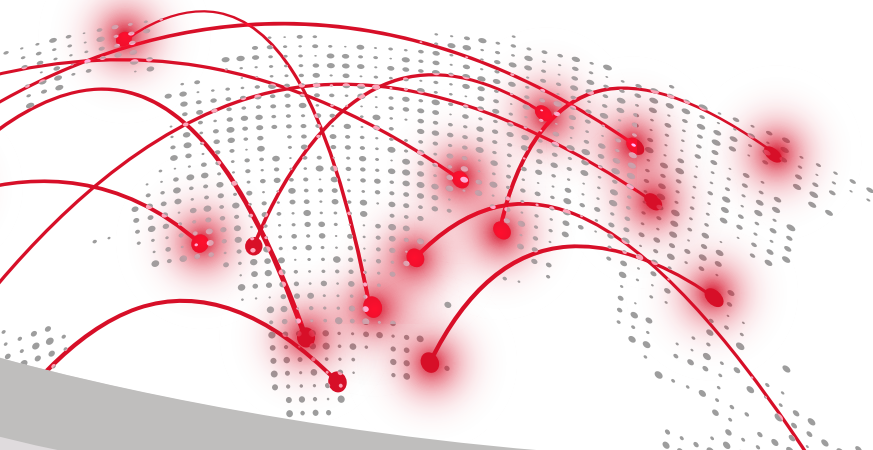
The Hydrapak is a compact, low weight design containing the reservoir, return filter, radiator, cooling fan and system relief valve so that it simply needs to be mounted on the vehicle and connected to the hydraulic system. This reduces significantly the complete system installed weight from that of a traditional oil reservoir (tank).



Micronic Filters

The M329 range of stainless steel discharge filters provide a complete air filtration (5 μm) and condition monitoring system to prevent the contamination/ degradation of liquid and dry products (e.g. foods and plastics) in the tanker offloading industry.





Gardner Denver

TRANSPORT SOLUTIONS

We keep you moving

Gardner Denver Transport Solutions – the Ultimate Service Capability

Customer support and service are key in any business. With Gardner Denver Transport Solutions, you can expect the highest level of care for our quality products and systems throughout their life.

Our experienced, qualified staff are committed to providing you with the highest levels of support. That commitment ensures excellence in our customer service which is integral to our business processes – to the design, manufacture, delivery and installation of the products and systems we supply.

Should you require advice, maintenance or should an issue become a problem, we provide fast service support with extensive stocked spare parts to get your application and processes back in operation as soon as possible.

- Globally stocked genuine spare parts
- Service and maintenance kits
- Detailed commissioning
- Complete check and overhaul of your system
- Reliable, professional maintenance and service
- Service exchange components
- Tailored maintenance and service contracts
- Service training of your staff

Gardner Denver Transport Solutions – ***we keep you moving!***

WITTIG

ROBUSCH

DRUM

**Gardner
Denver**

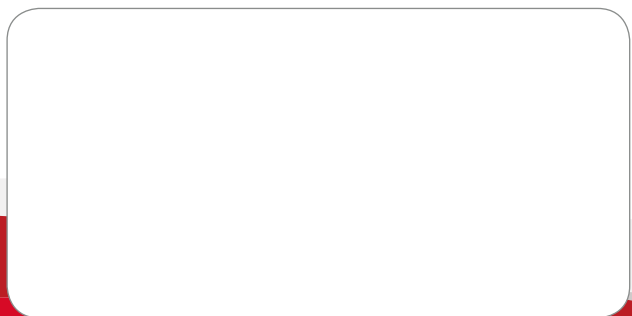
hydrovane

TODO

**EMCO
WHEATON**

**SSP
Pumps**

AIR DRIVE



Gardner Denver Transport Solutions
PO Box 178, Springmill Street, Bradford,
West Yorkshire, BD57 YH. United Kingdom.
transport@gardnerdenver.com
www.gardnerdenver.com/transport

For additional information please contact
Gardner Denver or your local representative.

Specifications subject to change without notice.