

Gardner Denver

POSITIVE DISPLACEMENT BLOWER PACKAGES

IQ-RB Series



It's all about...

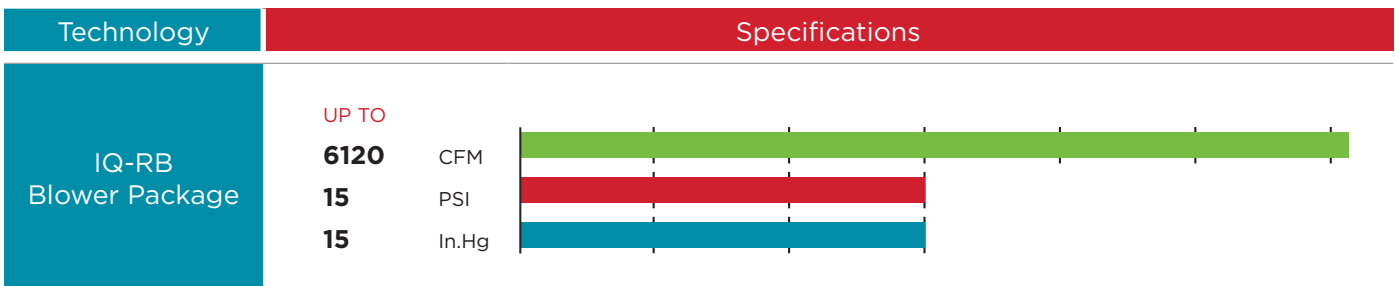
the IQ-RB BLOWER PACKAGE



- Low Pressure Package
- Integrated RBS 15-165 Tri-Lobe Blowers
- Low Energy Consuming Electric Motor
- Fixed Speed Operation
- Analogue Gauges
- Available as Enclosed or Unenclosed in Five Frame Sizes:

Frame	1	2	3	4	5
HP	15	25-60	60-125	100-300	300-600

Reliable Performance



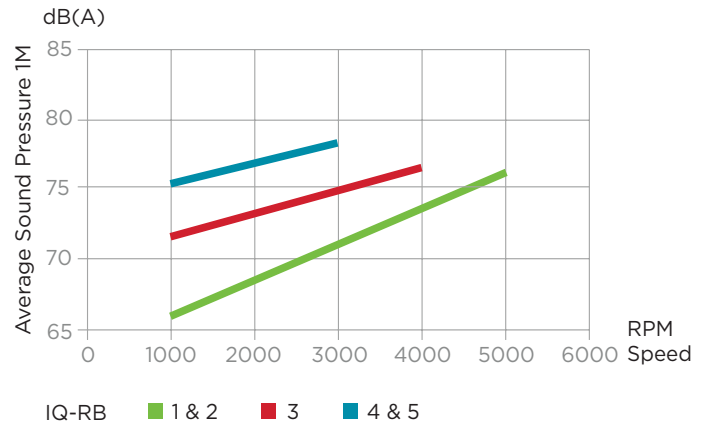
Simplified Maintenance

- Minimizes Downtime
- Reduces Maintenance Costs
- Removable Panels Permit Easy Access
- Easily Viewable Oil Levels & Streamlined Oil Changes
- Automatic Belt Tensioning
- Simple Belt Replacement

Compact Design

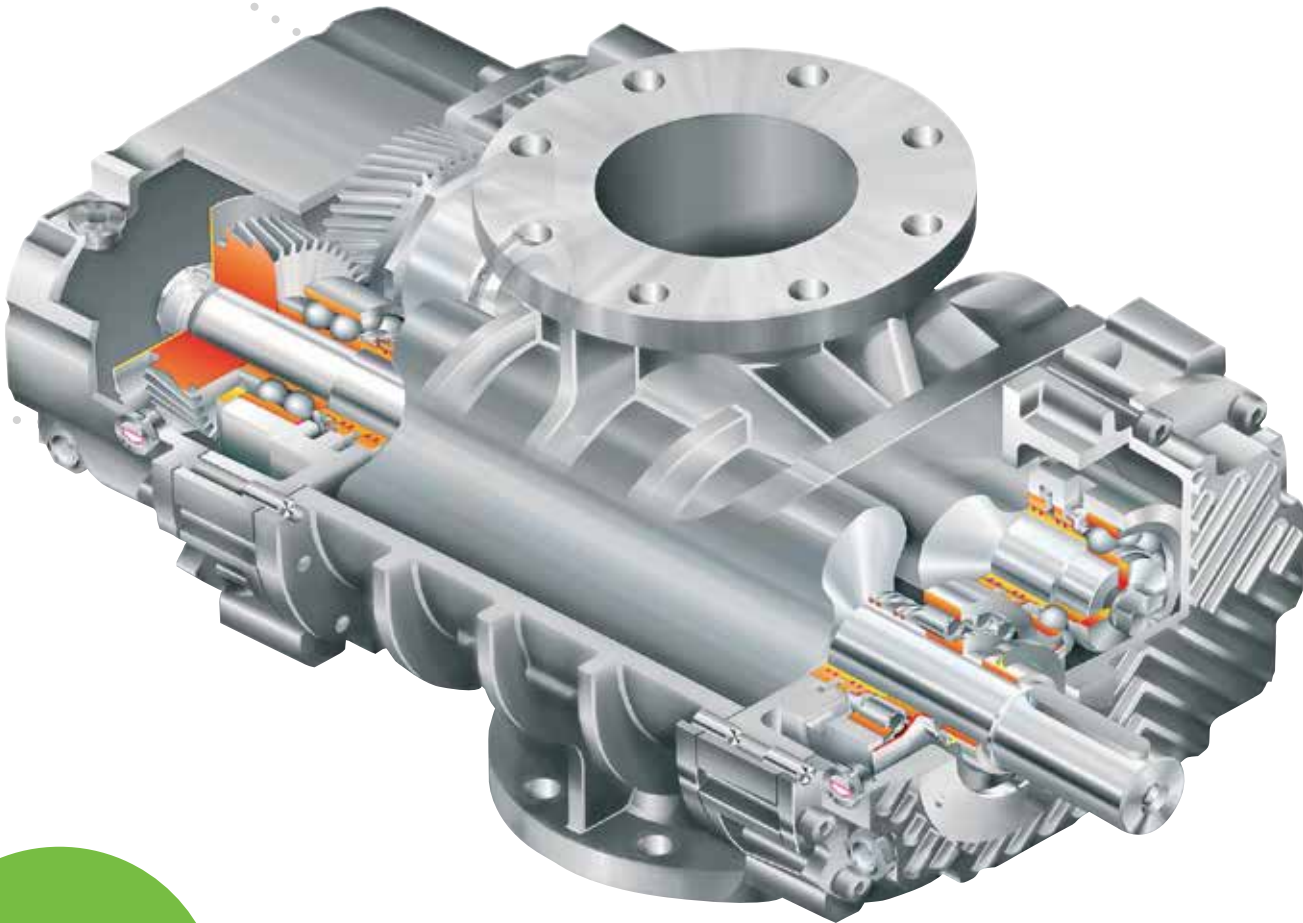
- Significantly Reduced Dimensions
- Optimizes Floor Space

IQ-RB NOISE LEVEL



Quiet Operation

- Tri-Lobe Technology Eliminates Flow Pulsation
- SPF Inlet Silencer
- Discharge Silencer
- Noise Enclosure with Double Sound Insulation Panels



IQ-RB PERFORMANCE DATA

Frame	Model	MAX PRESSURE DATA				MAX VACUUM DATA			
		PRESSURE PSI (G)	CAPACITY CFM	MOTOR BHP	NOISE DB(A)	PRESSURE IN. HG.	CAPACITY CFM	MOTOR BHP	NOISE DB(A)
1	RB-IQ 15	13	140	15	<70	15	140	15	<70
	RB-IQ 25	10	190	15	70	15	180	15	<70
2	RB-IQ 35	15	285	30	73	15	285	25	70
	RB-IQ 45	15	410	40	76	15	410	25	73
	RB-IQ 46	10	640	40	75	15	620	40	72
	RB-IQ 55	15	595	60	76	15	595	40	73
	RB-IQ 65	15	630	60	77	15	795	60	74
3	RB-IQ 65	15	810	75	77	—	—	60	—
	RB-IQ 66	10	1150	75	77	15	1090	60	73
	RB-IQ 75	15	940	100	76	15	935	60	76
	RB-IQ 85	15	1680	120	77	15	1370	75	74
	RB-IQ 86	10	1390	100	77	15	1765	100	78
	RB-IQ 95	15	1525	125	77	15	1525	100	75
4	RB-IQ 86	10	1825	125	76	—	—	100	—
	RB-IQ 105	15	1980	200	78	15	1980	100	76
	RB-IQ 106	10	2770	200	78	15	2648	150	78
	RB-IQ 115	15	2370	250	77	15	2370	125	76
	RB-IQ 125	15	3050	300	78	15	3050	150	78
	RB-IQ 126	10	3120	250	78	15	4237	250	77
	RB-IQ 135	15	3180	300	78	15	3180	150	76
5	RB-IQ 126	10	4330	375	78	—	—	—	—
	RB-IQ 145	15	4700	473	78	15	4700	300	79
	RB-IQ 155	10	6060	473	78	12	6000	300	79
	RB-IQ 165	15	6120	600	81	15	6120	375	82

Performances related to atmospheric air: absolute pressure 14.7 psi, temperature 68° F, relative humidity 36%

Gardner Denver®

Gardner Denver, Inc.

1800 Gardner Expressway
Quincy, IL 62305
866-428-4890

www.gardnerdenver.com/gdproducts



©2017 Gardner Denver, Inc. Printed in U.S.A.
PD-IQ-RB 1st Ed. 4/17

