

VULCAN STRIPPER II

UHP Air-Operated
Rotary Control Gun

Pressures to 40,000 PSI (2750 Bar)



Quality ♪ Performance ♪ Safety



Part #3503000
36" (915 mm) Barrel

Specifications:

Weight: 11 Lbs. (4.89 Kg)
Working Rotation Speed: 3,000 RPM
Max. Air Required: 22 CFM
Max. Flow Rate: 7 GPM (26 LPM)
Motor Horse Power: 0.75 HP (0.56 kW)

The Right Tool for the Most Demanding Surface Preparation Job!

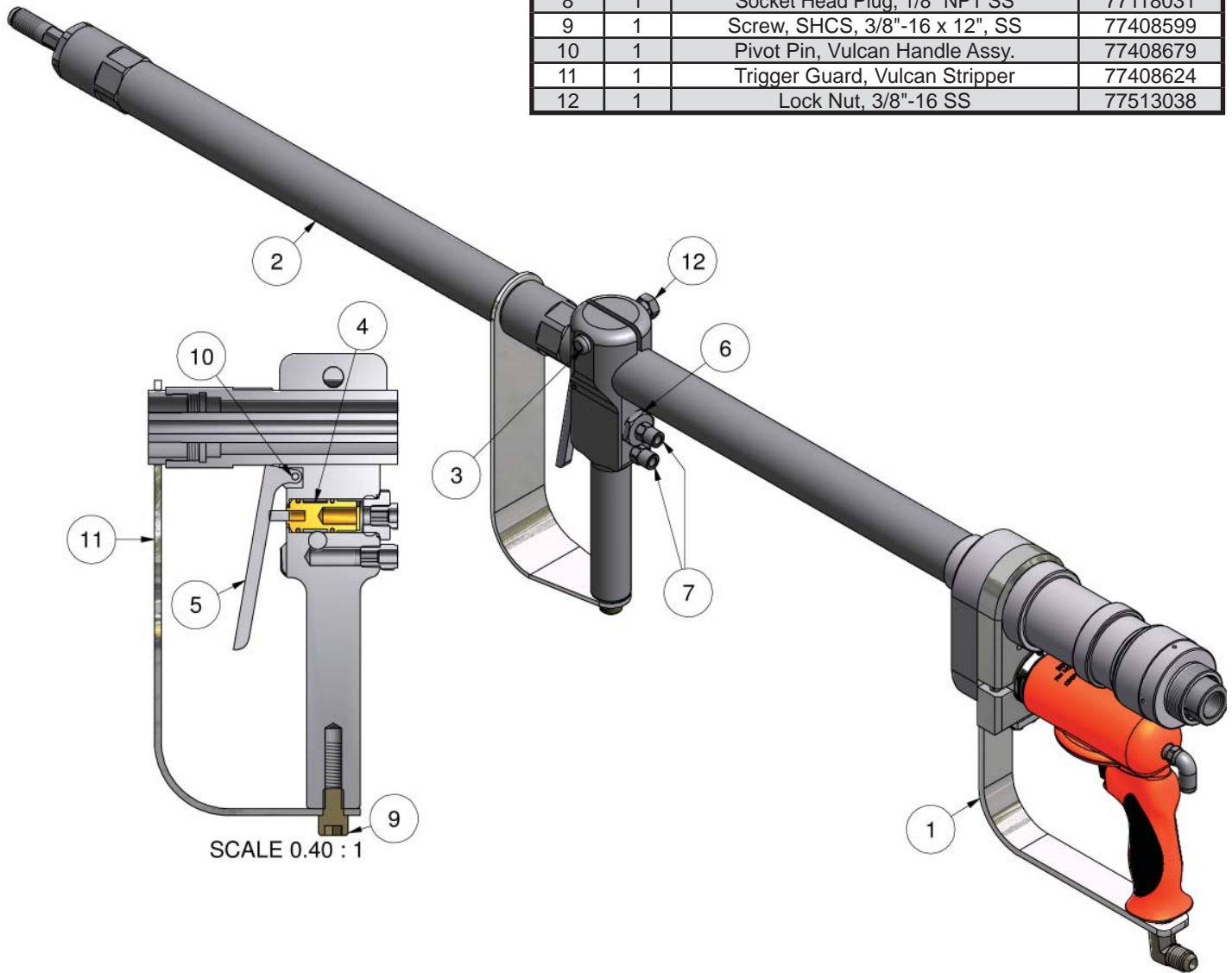
The "flagship" for the Gardner Denver Water Jetting Systems line of UHP Surface Preparation Tools, the Vulcan Stripper has seen many years of dependable, continuous service in a wide range of industrial settings and circumstances. The Vulcan Stripper delivers the power to clean the most difficult surfaces down to white metal quickly and cost effectively using a minimum amount of water. Operation of the Vulcan Stripper will require an air operated Multi-Mode Control Valve.

- ◆ Ultra-High Pressure Water Jetting produces a white metal surface standard equal to NACE No. 5/SSPC-SP12.
- ◆ Major paint and coatings manufacturers have developed lines of coatings specifically for ultra-high waterblasted surfaces.
- ◆ High pressure waterjetting is not only economical, but with so many environmental advantages it is swiftly becoming the preferred process for coating removal by many major industries.

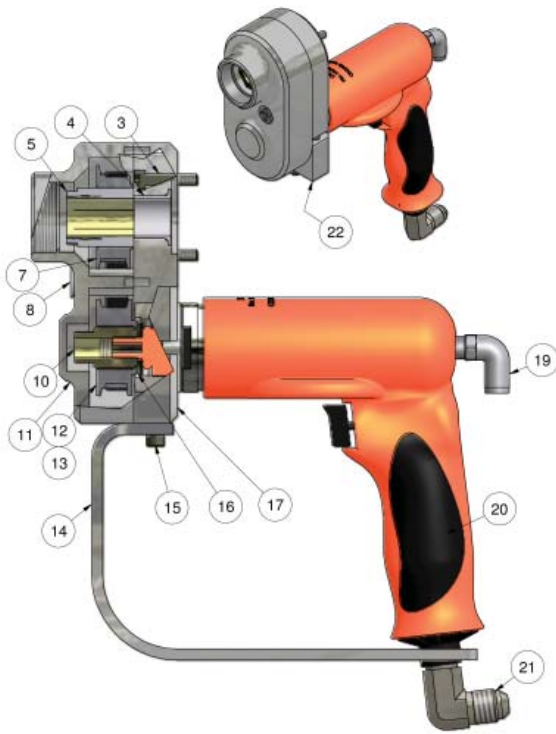
CONTROL GUNS

VULCAN STRIPPER II CONTROL GUN ASSEMBLY - #3503000

ITEM	QTY.	DESCRIPTION	PART NO.
1	1	Handle Assy., Air Motor/Swivel/Drive	77408580
2	1	Swivel Assy. with Barrel	3501020
3	1	Cam Stud, Air Trigger Handle	77408614
4	1	3-Way Clippard Valve	77408678
5	1	Air Trigger, Vulcan Stripper	77408676
6	1	Retainer Plug, Vulcan Air Switch Cartridge	77408677
7	2	Fitting, 1/8" NPTM x 1/4" Prestolok Tube	77408661
8	1	Socket Head Plug, 1/8" NPT SS	77118031
9	1	Screw, SHCS, 3/8"-16 x 12", SS	77408599
10	1	Pivot Pin, Vulcan Handle Assy.	77408679
11	1	Trigger Guard, Vulcan Stripper	77408624
12	1	Lock Nut, 3/8"-16 SS	77513038



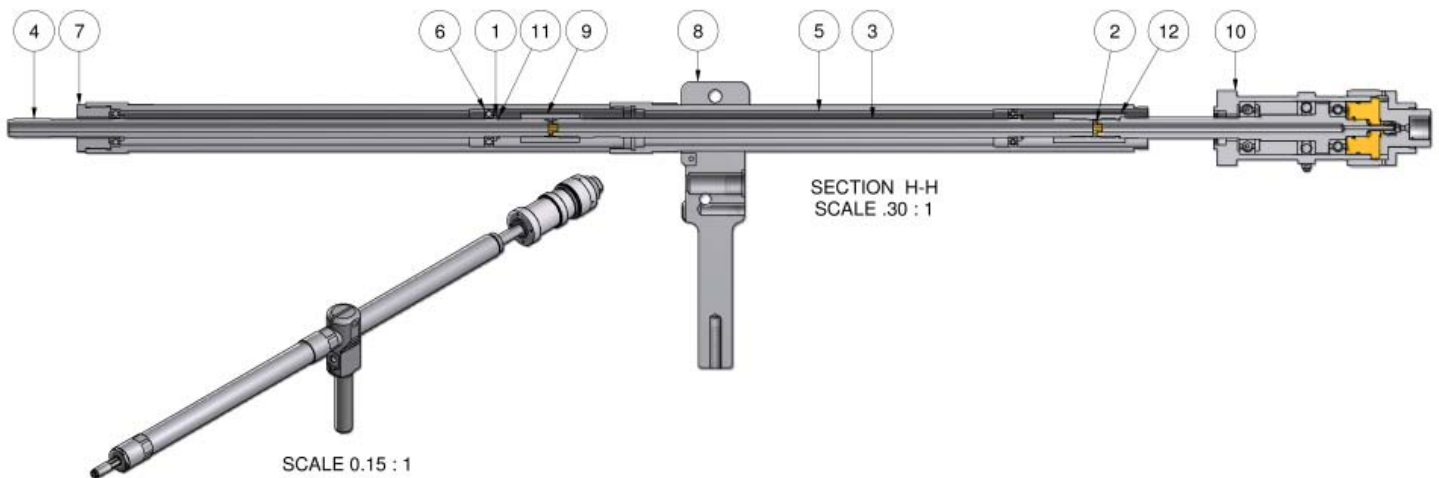
VULCAN STRIPPER II HANDLE ASSEMBLY, AIR MOTOR/SWIVER/DRIVE - #77408580



ITEM	QTY.	DESCRIPTION	PART NO.
3	3	Screw, 10-24 x 7/8" SHCS SS	77408598
4	1	Shaft Bearing (DU), Vulcan Stripper	77408621
5	1	Shaft TransTorque Collet, 5/8"	77408580-27
7	1	Upper Drive Shaft Pulley	77408615
8	2	Screw, Flat Head Hex Socket, 1/4"-20 x 1-1/2", SS	1615293
10	1	Lower Pulley Hub, Vulcan Stripper	774086161
11	1	Front Drive Belt Casing, Vulcan Stripper	77408609
12	1	Drive Motor Pulley, Lower	77408616B
13	1	Drive Pulley Belt	7740858031
14	1	Trigger Guard (Air Motor), 40K Control Gun	77408689
15	2	Screw, SHCS, 10-24 x 1/2", SS	7740858032
16	1	3/8" Washer	16-79721
17	1	Drive Plate, Swivel Side	77408608
19	1	Fitting, 1/8" NPTM x 1/4" Prestolok Tube	774086611
20	1	Air Motor with Adapter, 40K Control Gun	3101250001
21	1	Elbow, SHCS, 1/4" MNPT x 3/8" MJIC	7740858034
22	1	Screw, SHCS, 1/4"-20 x 1-1/2", SS	77408635

VULCAN STRIPPER II SWIVEL ASSEMBLY WITH BARREL - #3501020

ITEM	QTY.	DESCRIPTION	PART NO.
1	3	Handle Assy., Air Motor/Swivel/Drive	3501026
2	2	Swivel Assy. with Barrel	3101034
3	1	Barrel Nipple B, Vulcan Stripper	3101037
4	1	Barrel Nipple A, Vulcan Stripper	3101036
5	2	Barrel Housing, Vulcan Stripper	3101035
6	3	Radial Ball Bearing, 15 x 28 x 7 mm	3101007
7	1	Barrel Plug, Vulcan Stripper	3101038
8	1	Air Trigger Handle	3101032
9	1	Nipple Connector, Barrel	3101039
10	1	40K Swivel Assembly	3501010300
11	2	Retaining Ring, 9/16" Shaft, 5101-55 SS	1601020
12	1	Coupling, Rotating Barrel, 9/16" UH	77408611M



CONTROL GUNS

40K High Production Viper Series Nozzles

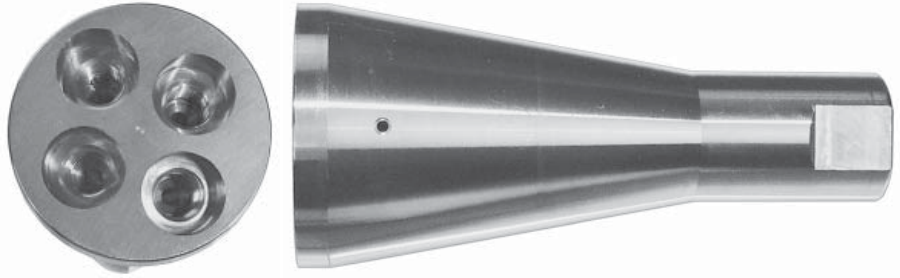
#77408185-LM

Material: 15-5 Stainless Steel

Dimensions: 4.5" long
1.99" diameter

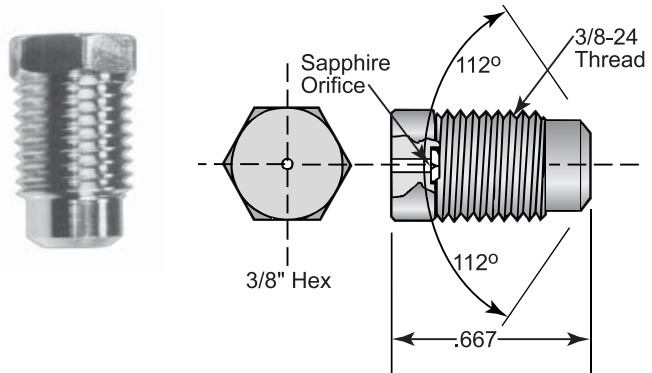
40,000 PSI (2758 Bar) MAWP

Specify flow rate and pressure for nozzle configuration. Nozzle chart not applicable. Consult sales for proper jets.



Patented High-Cohesive Orifice Assemblies

JET SIZE	PART #	JET SIZE	PART #
.005	77408182-005	.023	77408182-023
.006	77408182-006	.024	77408182-024
.007	77408182-007	.025	77408182-025
.008	77408182-008	.026	77408182-026
.009	77408182-009	.027	77408182-027
.010	77408182-010	.028	77408182-028
.011	77408182-011	.030	77408182-030
.012	77408182-012	.031	77408182-031
.013	77408182-013	.032	77408182-032
.014	77408182-014	.034	77408182-034
.015	77408182-015	.035	77408182-035
.016	77408182-016	.036	77408182-036
.017	77408182-017	.038	77408182-038
.018	77408182-018	.039	77408182-039
.019	77408182-019	.043	77408182-043
.020	77408182-020	.049	77408182-049
.021	77408182-021	.052	77408182-052
.022	77408182-022	PLUG	7740182P



GARDNER DENVER WATER
JETTING SYSTEMS, INC.
12300 North Houston Rosslyn Road
Houston, TX 77086

Your local distributor/representative is:



GARDNER DENVER WATER JETTING SYSTEMS, INC.

Partek • Liqua-Blaster • CRS Power Flow • Jetting Systems • American Water Blaster

1-800-231-3628 ♦ 281-448-5800 ♦ Fax: 281-448-7500

www.waterjetting.com ♦ E-mail: mktg.wjs@gardnerdenver.com