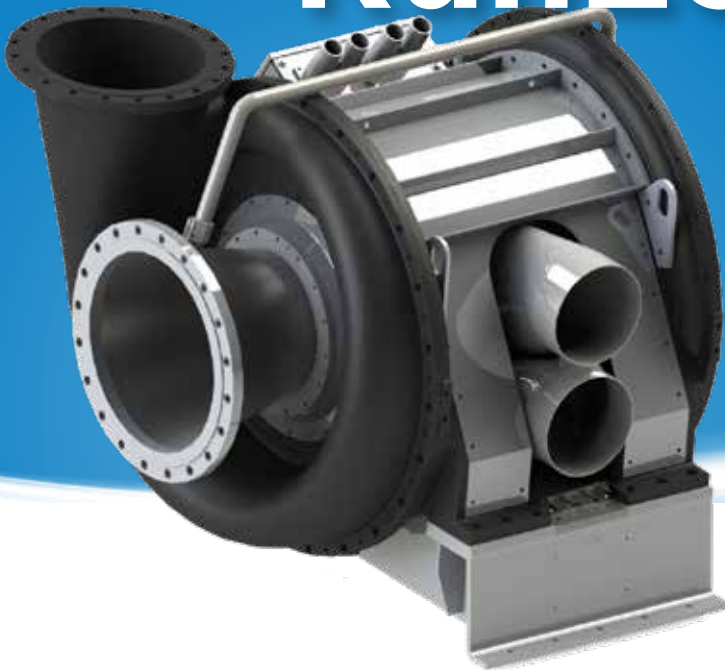


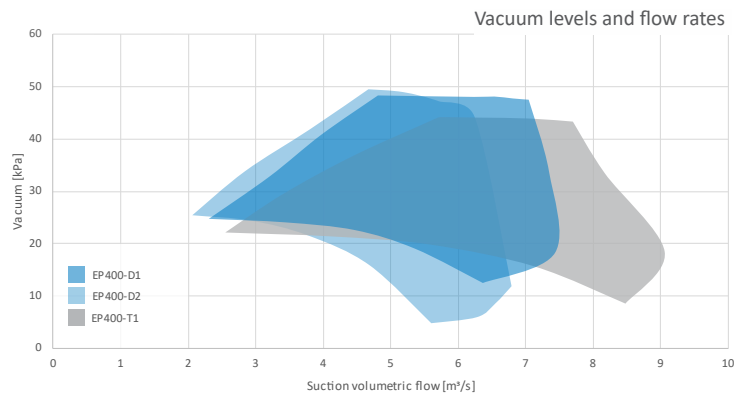
# RunEco Turbo EP400



## Save electricity and water in your vacuum system

Ecopump Turbo, the first-ever variable speed and variable capacity turbo blower, saves 30–70% in energy compared to traditional vacuum systems. EP400 utilizes an ABB motor using laminated rotor technology instead of a solid rotor. This results in lower rotor losses and improved load capacity.

Ecopump Turbo is a totally water-free solution with significant heat recovery potential. Its compact design also reduces installation costs.

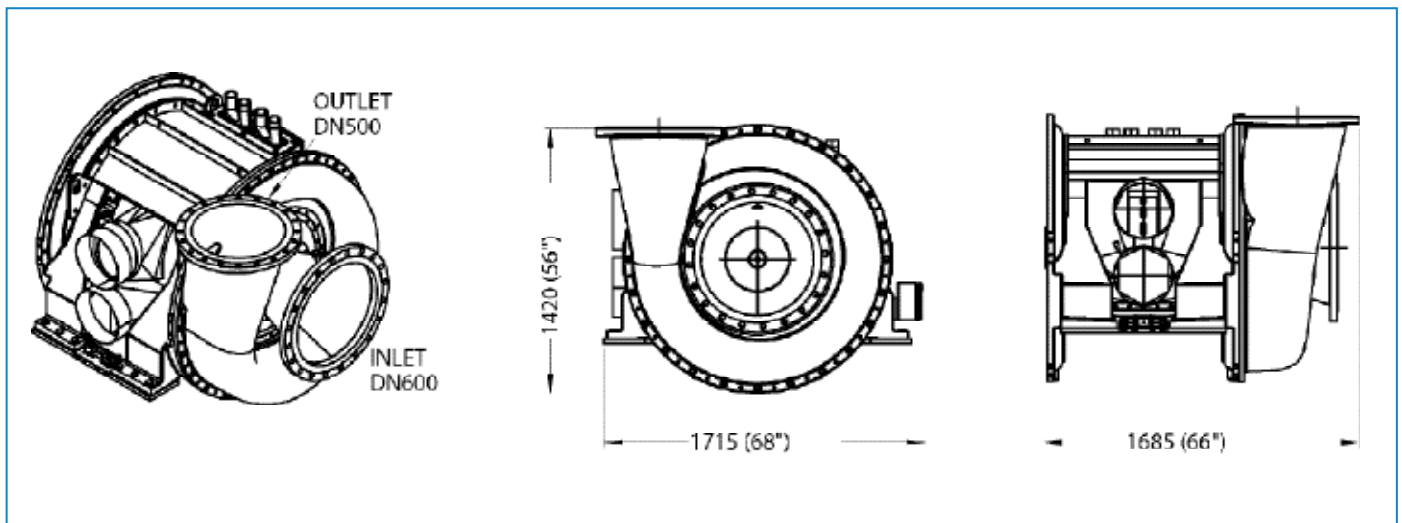


FEATURES	ADVANTAGES
Single-stage turbo	<ul style="list-style-type: none"> <li>- Variable speed and capacity turbo blower saves energy</li> <li>- Wide air capacity range eliminates bleed valves</li> <li>- Automatic speed control adapts to changes in machine speed, basis weight and felt age</li> <li>- Water-free system</li> <li>- Exhaust air temperature up to 110 °C (230 °F)</li> </ul>
Compact size	<ul style="list-style-type: none"> <li>- Easy to install. No gearbox. Impellers are mounted directly on the motor shaft</li> </ul>
Integrated 400 kW high-speed drive	<ul style="list-style-type: none"> <li>- Standard ABB high speed motor</li> <li>- Speed up to 9,600 rpm</li> </ul>

	EP400-D1	EP400-D2	EP400-T1
Vacuum, min/max	-10 - -45 kPa (3- 13 inHg)	-10 kPa - -45 kPa (3 inHg - 13 inHg)	-10 kPa - -40 kPa (3 inHg - 12 inHg)
Air flow range	2.5 - 7.0 m³/s (5,000 -18,000 cfm)	2.0 - 6.0 m³/s (4,000 -13,000 cfm)	2.0 - 8.0 m³/s (6,000 -17,000 cfm)
Weight [kg/lb]	3,500 kg / 7,700 lb	3,500 kg / 7,700 lb	3,500 kg / 7,700 lb
Static load [kN]	34.3	34.3	34.3
Dynamic load [kN]	68.6	68.6	68.6
Size [L x H x W]	2000 x 1450 x 1850 mm (78 x 57 x 73 in)	2000 x 1450 x 1850 mm (78 x 57 x 73 in)	2000 x 1450 x 1850 mm (78 x 57 x 73 in)
Inlet / outlet size	DN 600 / 500 PN10 (24" / 20")	DN 500 / 400 PN4 / PN 10 (20" / 16")	DN 600 / 500 PN10 (24" / 20")
Power [kW]	400kW / 540hp		
Voltage [V]	400 / 690		
Blower body	Coated mild steel		
Impeller	Titanium		
Bearing	Ceramic ball		
Motor cooling air (EU5 filter)	1.2 m³/s at 30 °C, 3.5 kPa (2500 cfm at 90 °F, 0.5 psi)		

## Technical specifications

Ecopump EP400 series Turbos are single-stage speed-controlled blowers designed for small and medium sized paper machines and both greenfield and retrofit installations. The closed 3D impeller design gives top efficiency together with good controllability.



## Technical drawings

The compact design makes retrofit installations easy. The EP Turbo unit includes an integrated high-speed drive, which eliminates the need for a gearbox or coupling. Units can be installed directly on top of the concrete water separator, basement or machine level.