

**Gardner
Denver**

DRY BULK TRUCK BLOWERS

DuroFlow[®]
Transport Series





Durable,
Reliable & Efficient

DuroFlow 4512
with Mounting Kit

DuroFlow Transport Series Performance

- Pressure to 15 psig
- Vacuum to 15 inHg
- Airflow to 1752 cfm



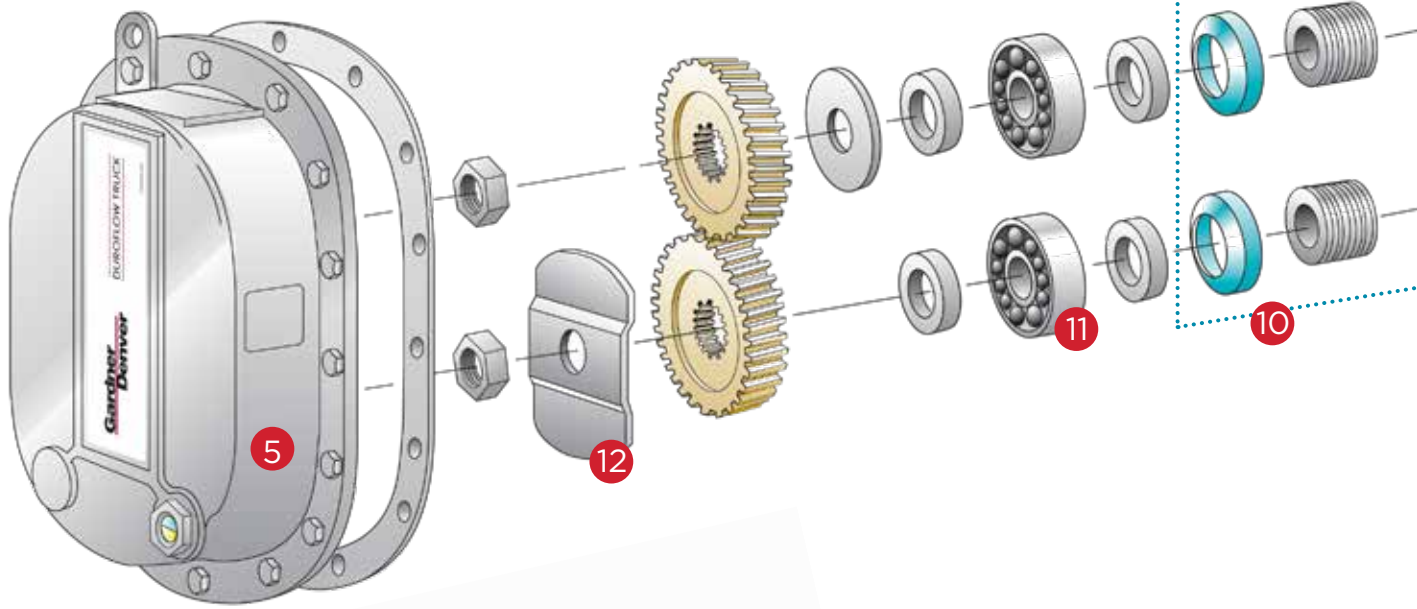
For over fifty years, Gardner Denver DuroFlow positive displacement blowers/vacuum pumps have combined leading-edge technology and on-the-job experience to continuously deliver enhanced designs and improved performance.

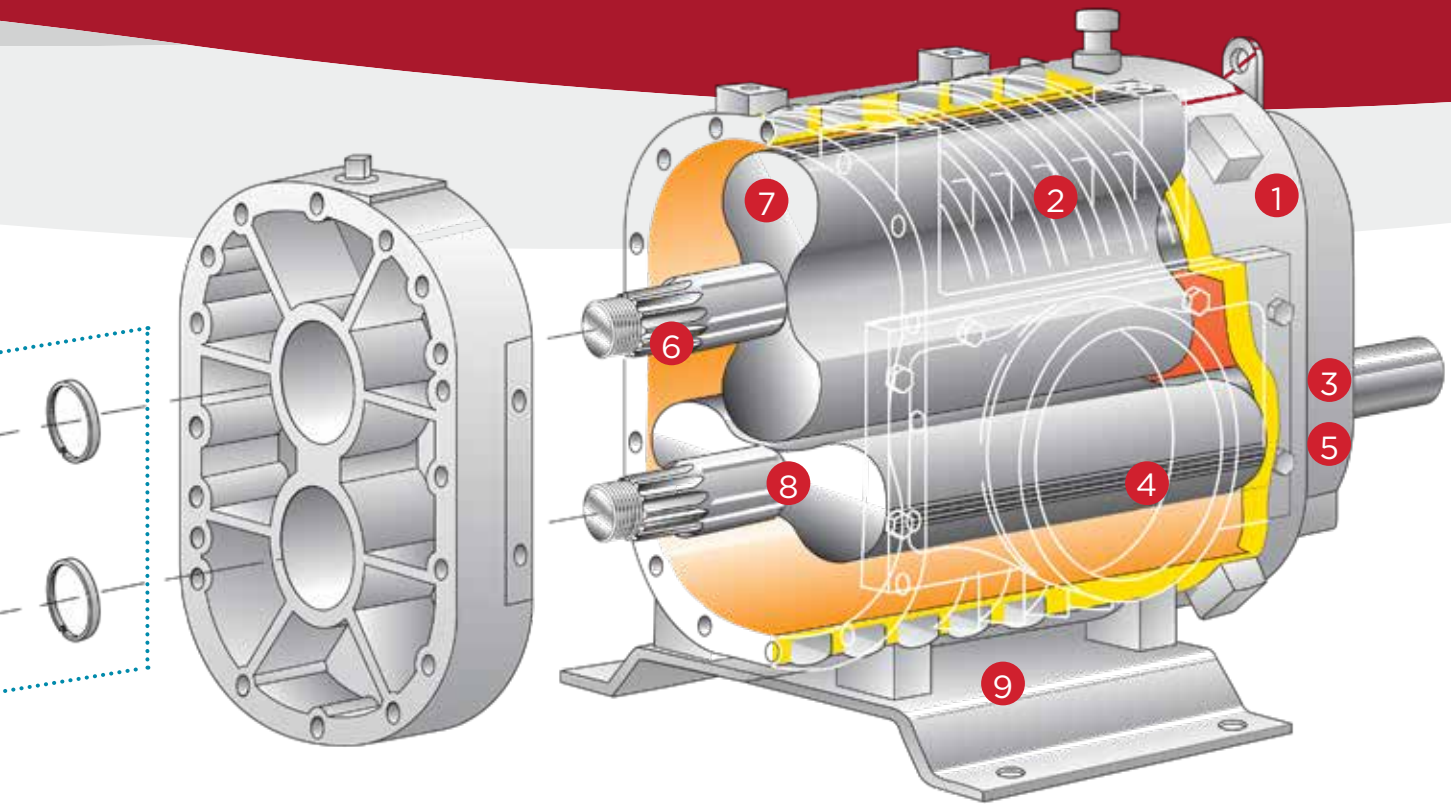
The DuroFlow Transport Series is durable and built to last, seen by its compact design, component quality, high power-to-weight ratio and mounting versatility.

Ideal for a variety of applications, including:

- Cement
- Plastic Resins
- Grain
- Dry Bulk Chemicals
- Fly Ash
- Sand
- Pulverized Limestone
- Sugar
- Flour



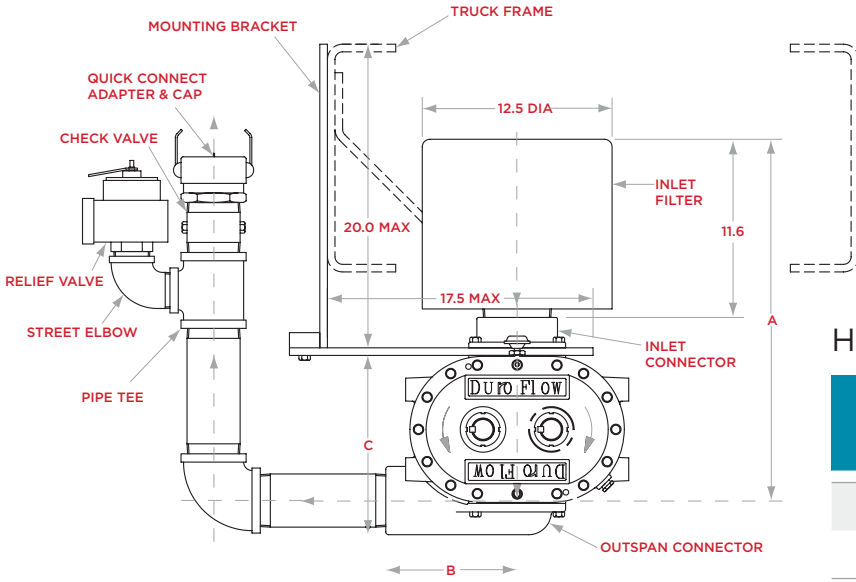




DuroFlow Design Advantages

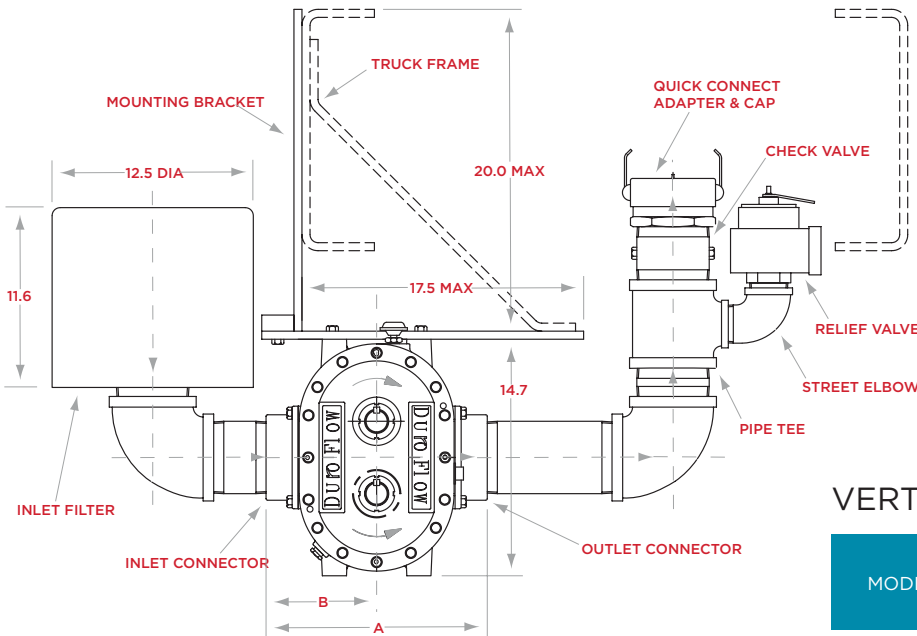
- 1 HEAVY-DUTY REINFORCED CAST IRON CYLINDER:** retains internal clearances
- 2 INTEGRAL RIBS:** improve heat dissipation and improve performance
- 3 DRIVE-END DOUBLE-ROW ANGULAR CONTACT BALL BEARINGS:** fix the rotor position
- 4 PRECISION-MACHINED SERRATED TIPS:** reduce power consumption
- 5 DUAL SPLASH LUBRICATION:** at both gear and drive ends for longer product life
- 6 HELICAL TIMING GEARS:** mounted on shaft splines to assure non-slip timing
- 7 SOLID ROTORS:** eliminate potential for vibration
- 8 DURABLE BI-LOBE ROTORS & SHAFTS**
- 9 VERTICAL OR HORIZONTAL MOUNTING DESIGN**
- 10 ADVANCED OIL & AIR SEALS**
- 11 GEAR-END ROLLER BEARINGS:** support each shaft
- 12 SLINGER:** ensures lubricant is distributed to gears and bearings

Performance & Dimensional Data



HORIZONTAL MOUNTING KIT

MODEL	LINE SIZE	DIMENSIONS IN INCHES		
		A	B	C
4509	3"	23.80	8.70	11.80
4512	4"	24.30	10.20	12.50



VERTICAL MOUNTING KIT

MODEL	LINE SIZE	DIMENSIONS IN INCHES	
		A	B
4504	4"	18.05	9.03
4506	4"	13.81	6.90
4509	4"	13.81	6.90
	5"	15.81	7.90
4512	6"	15.19	7.66
4518	8"	13.00	6.50

DuroFlow: Flexibility to Match Your Needs

3 SIZES, 5 MODELS
WITH CAPACITIES TO 1752 CFM



DuroFlow 4509

PERFORMANCE DATA: DUROFLOW TRANSPORT SERIES

MODEL	RPM	PRESSURE PERFORMANCE								VACUUM PERFORMANCE							
		8 PSIG		10 PSIG		12 PSIG		15 PSIG		8 INHG		10 INHG		12 INHG		15 INHG	
		CFM	BHP	CFM	BHP	CFM	BHP	CFM	BHP	CFM	BHP	CFM	BHP	CFM	BHP	CFM	BHP
4504	2000	140	8	130	10	121	12			102	8	95	5	78	6		
	2500	196	10	186	13	177	15	165	19	154	5	132	6	111	7	82	9
	3000	252	13	242	16	233	19	221	23	195	6	169	8	145	9	110	11
	3500	308	16	298	19	289	23	277	28	236	8	206	10	178	11	137	13
	4000	364	19	354	23	345	27	333	33	277	10	244	12	211	13	165	16
4506	2000	223	12	209	15	197	18	181	22	162	12	150	7	125	9	90	11
	2500	307	15	293	19	281	23	265	28	239	8	206	9	175	11	131	14
	3000	391	19	377	23	365	28	349	34	300	10	262	12	225	14	173	17
	3500	475	23	461	28	449	33	433	41	362	12	317	14	275	17	214	20
	4000	559	28	545	33	533	39	517	48	423	14	373	17	325	20	256	23
4509	2000	338	18	318	23	301	27	277	34	247	18	228	11	190	13	137	16
	2500	464	24	444	29	427	35	403	43	361	12	312	14	265	17	200	21
	3000	590	29	570	36	553	43	529	52	453	15	395	18	340	21	262	26
	3500	716	36	696	43	679	51	655	63	545	19	479	22	415	26	324	31
	4000	842	43	822	52	805	60	781	74	637	23	562	27	490	30	387	36
4512	2000	483	24	461	30	441	36	413	45	353	24	325	15	275	18	205	22
	2500	651	31	629	38	609	46	581	57	500	16	436	19	375	22	288	28
	3000	819	39	797	47	777	56	749	69	623	20	548	24	475	28	371	34
	3500	987	47	965	57	945	67	917	83	746	24	659	29	575	33	454	40
	4000	1155	56	1133	67	1113	79	1085	97	868	29	770	34	675	40	537	47
4518	2000	744	36	713	45					544	36	500	22	426	26	321	33
	2500	996	46	965	57					762	23	667	28	576	33	445	41
	3000	1248	57	1217	70					947	29	834	35	726	41	570	50
	3500	1500	68	1469	84					1131	35	1001	42	876	49	695	60
	4000	1752	80	1721	98					1315	42	1168	50	1026	58	819	70

Performance based on inlet air at standard temperature of 68°F, an ambient pressure of 14.7 psia and 36% relative humidity.
For performance at non-standard conditions, contact your authorized Gardner Denver representative.

Factory Exchange Program & Remanufacture

If your DuroFlow blower ever does need factory service, we inventory and ship remanufactured replacement blowers almost immediately. So you get your payloads back on the road—fast. Remanufactured units carry a full factory-new warranty.

Full Warranty

DuroFlow Truck Blowers carry one of the industry's strongest warranties—12 months from date of initial use or 18 months from date of shipment to the first purchaser, whichever occurs first. You can be confident with DuroFlow.



Gardner Denver®

Gardner Denver, Inc.

1800 Gardner Expressway
Quincy, IL 62305
866-376-8181

www.gardnerdenver.com/gdproducts



©2020 Gardner Denver, Inc. Printed in U.S.A.
GDT-DF-FAM 2nd Ed. 1/20

Please recycle after use.